



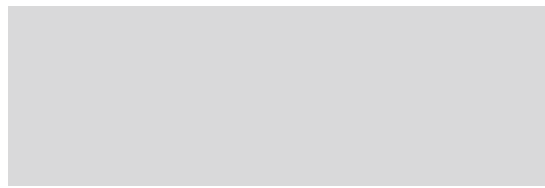
PANEL AND ACCESSORIES





► CONTENTS

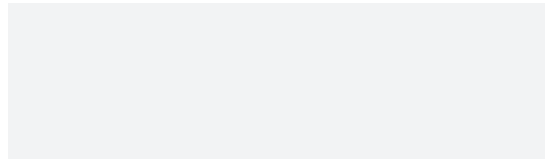
K-RIB PROFILES	4
K-RIB INTERIOR LINER PANELS	6
K-RIB PERFORATED INTERIOR LINER PANELS	7
DRIPSTOP CONDENSATION CONTROL	7
LIMITED 40-YEAR WARRANTY	8
CONDITIONS OF SALE AND GENERAL INFORMATION	9
METAL BUILDING TRIM PRODUCTS	10
RIDGOLATOR VENTILATION PRODUCTS	27
ROOF EDGE AND DRIP EDGE	28
FLAT SHEETS/TRIM-FORMING SHEETS/FORMED VALLEY	29
GUTTER AND ACCESSORIES	30
INDEX	33



WH20 White



GY76 Smoke Gray



WH23 Brite White



CH71 Charcoal Gray



ST53 Light Stone



BU89 Roman Blue



CY12 Clay Mist



BK56 Burnished Slate



TN24 Saddle Tan



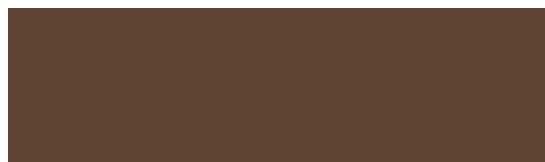
CR50 Copper Canyon – Premium Color



BG31 Cobblestone



RD40 Red



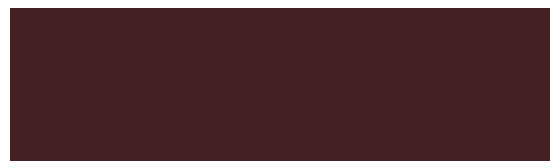
BN50 Cocoa Brown



RD52 Brite Red – Premium Color



BK71 Black



BD41 Classic Burgundy



BU86 Midnight Blue – Premium Color



GN89 Forest Green

The colors shown are intended only as an approximation of the actual colors. Color chips are available upon request.

► K-RIB ROOFING AND SIDING COLOR SELECTION CHART

- 40-Year Paint Warranty
- Custom Trims Available
- All Colors Energy Star Rated
- Bare Galvanized and Galvalume® Available
- Matching Trim, Soffit and Rain-Carrying Equipment

	COPPER CANYON	WHITE	BRITE WHITE	BURNISHED SLATE	SADDLE TAN	LIGHT STONE	COBBLESTONE	CLAY MIST	SMOKE GRAY	CHARCOAL GRAY	COCOA BROWN	ROMAN BLUE	RED	BURGUNDY	FOREST GREEN	BLACK	BRITE RED	MIDNIGHT BLUE
Frontier and Suburban 29 Ga. Galvanized	●	●	●	●	●	●	●	●	●	●	●	●	●	●	●	●	●	●
Heartland 29 Ga. Galvanized		●	●	●				●	●	●	●		●		●	●		
R Panel 29 Ga. Galvanized	●	●	●	●	●	●	●	●	●	●	●	●	●	●	●	●	●	●
Frontier and Suburban 26 Ga. Galvalume		●	●			●		●		●	●				●			
R Panel and PBR Panel 26 Ga. Galvalume		●	●			●		●		●	●				●			
Soffit System		●	●	●	●	●	●	●	●	●	●	●	●	●	●	●	●	●

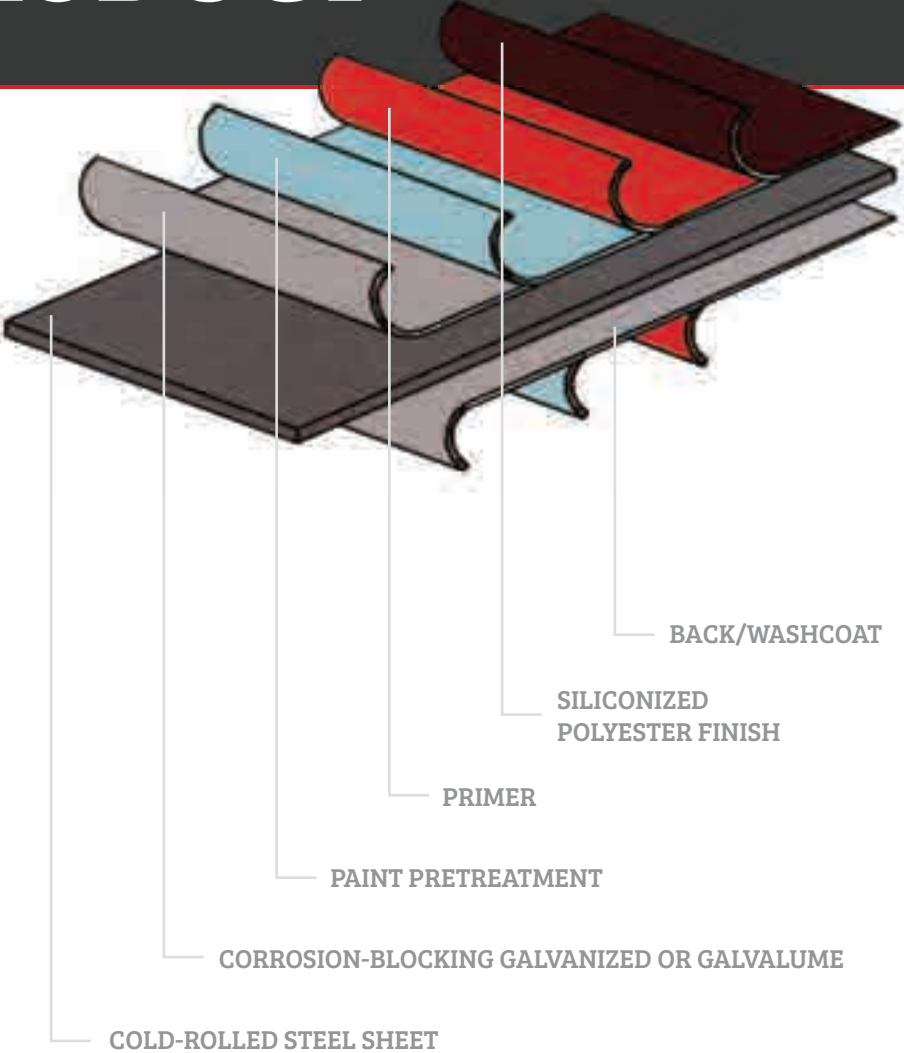




THE RIGHT PAINT FOR THE RIGHT PRODUCT

We choose our superior siliconized polyester paint for our panels as it is recognized in the industry for its remarkable color and gloss retention as well as its superior chalk resistance.

All painted K-Rib brand roofing and siding panels are covered by our **40-year paint warranty** and Energy Star Rated.



FRONTIER ▶



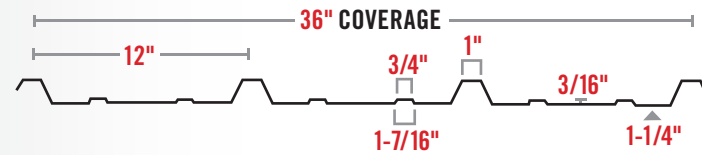
SUBURBAN ▶



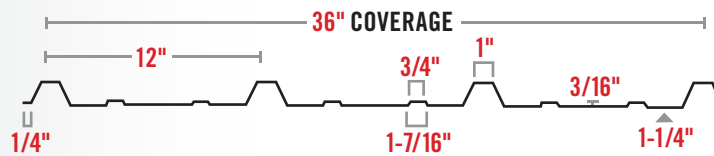
HEARTLAND ▶



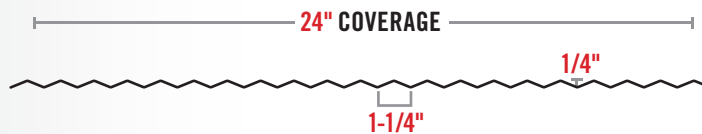
R-PANEL ▶



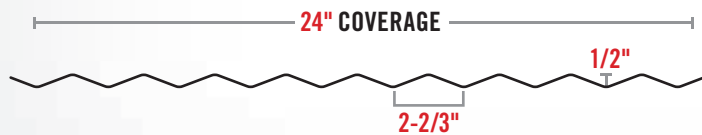
PBR-PANEL ▶



1-1/4" CORRUGATED ▶



2-1/2" CORRUGATED ▶



K-RIB INTERIOR LINER PANELS

► K-RIB INTERIOR LINER PANELS

Liner Panels are the interior walls of a metal building. They consist of either K-Rib profile in 3-ft.-wide panel coverage and are screwed to the framing. Liner Panels can be used for full- or partial-height liners. They protect the insulation of the building and the exterior walls, while enhancing the interior of the building by giving it a more finished, pre-engineered look. Designed for metal buildings, Liner Panels will outperform plywood or drywall, while being considerably more cost effective.

- Available in (.015-in.) thickness Bare or Painted Diamond Embossed Aluminum or 30 Gauge. Painted Galvanized Steel
- Both Frontier and Suburban profiles available
- 3-ft.-wide coverage
- Standard polyester 2-coat paint system
- Stock or custom lengths available
- For interior use only



K-RIB PERFORATED INTERIOR LINER PANELS

► K-RIB PERFORATED INTERIOR LINER PANELS

Perforated K-Rib Liner Panels provide a more finished look to the interior of a metal building, while providing a significant reduction in the reflective noise level in the building. Acoustical K-Rib Liner Panels protect both the insulation of the building and the exterior walls.

- Available in (.015-in.) thickness Painted Galvanized Steel
- Both Frontier and Suburban profiles available
- 3-ft.-wide coverage
- Entire panel is perforated using IPA number 111 protocol
- Hole size is .041 diameter on 1/2" staggered centers with minimum margins parallel to length. Straight rows of holes will be parallel to the panel width. 19 holes per sq. in., resulting in 12% open area
- Standard polyester 2-coat paint system
- Stock or custom lengths available
- For interior use only

FRONTIER



SUBURBAN



► DRIPSTOP CONDENSATION CONTROL

When climate conditions cause condensation to occur, DripStop absorbs and holds moisture in specifically designed pockets in the membrane. When climate conditions return to above dew point, the moisture is released back into the air in the form of humidity. Combining Klauer K-Rib Suburban Panel and DripStop creates the ultimate panel for all applications.

FIGHTS CORROSION

Tests have proven it adds another layer of protection specifically from the corrosive elements in livestock confinement.

DURABLE

Resistant to aging. Will not deteriorate, tear or rip. Very difficult to slice through. 20-year adhesion warranty.

SAVES MONEY

No additional costs for installing insulation. DripStop is applied at the same time the panel is formed.

SAVES TIME

Completely cuts out one step of the building process and up to half the time on the roof. K-Rib Suburban Panel with DripStop arrives at the jobsite already installed on the panel.

REDUCES NOISE

Improves the effectiveness of acoustical insulation.

UL APPROVED

UL 723 approved for flame resistance.

LIMITED 40-YEAR WARRANTY

Klauer Painted Galvanized K-Rib metal roofing panels, metal building trim, roof edge, flashing, rain-carrying products and aluminum siding accessories with a color-coated finish when properly installed for the product's intended use will resist normal weathering conditions for a period of 40 years after installation, or 40 years and six months after date of shipment (whichever comes first).

This warranty is subject to the following terms and conditions:

The sole and exclusive remedy for any claims arising from a defective color-coated finish on said products shall be limited to refinishing or replacing the defective products, or at the election of Klauer Manufacturing Company, a refund of the purchase price on a depreciated basis. KLAUER MANUFACTURING COMPANY SHALL NOT BE LIABLE IN CONTRACT, INTORT, UNDER ANY WARRANTY, IN NEGLIGENCE OR OTHERWISE FOR ANY LOSSES, DAMAGES OR EXPENSES, WHETHER DIRECT, INDIRECT, INCIDENTAL OR CONSEQUENTIAL, CAUSED BY OR RESULTING FROM THE USE OF ANY PRODUCT OR FOR ANY OTHER INCIDENTAL OR CONSEQUENTIAL DAMAGES. THE PRICE STATED FOR THE PRODUCT IS A CONSIDERATION IN LIMITING KLAUER MANUFACTURING COMPANY'S LIABILITY. The parties agree that the exclusion of consequential damages shall remain in full force and effect even if the remedies for breach of warranty fail of their essential purpose. Some states do not allow the exclusion or limitation of incidental or consequential damages, so this limitation or exclusion may not apply to a particular consumer.

The express warranty stated herein is the exclusive warranty applicable to the product. ANY IMPLIED WARRANTIES, INCLUDING ANY IMPLIED WARRANTY OF MERCHANTABILITY OR FITNESS FOR A PARTICULAR PURPOSE ARE EXPRESSLY EXCLUDED. Some states do not allow the exclusion or limitation of implied warranties, so this limitation or exclusion may not apply to a particular consumer.

Claims under this warranty must be made in writing to Klauer Manufacturing Company within 40 days after discovery of the defect. Klauer Manufacturing Company shall have an additional 60 days to inspect material subject to claim before any further action shall be taken. No action shall be brought for any breach of this contract more than one year after the accrual of the cause of action. Claims are for said product(s) only. Labor charges or any other installation fees are not a part of this warranty, and said charges will not be honored.

Abnormal atmospheric conditions to which this warranty does not apply include, but are not limited to, hail, exposure to salt, corrosive or harmful chemicals in the air or atmosphere or other abnormal atmospheric conditions of a similar or dissimilar nature.

This warranty shall not be applicable to damage or defects caused by acts of God, falling objects, external forces, explosions, fire, riots, civil commotion, acts of war, excessive radiation, excessive salt atmospheres chemicals and foreign substances in the air or atmosphere.

Defects or damage to Klauer products with a color-coated finish caused by handling, shipping, storage, installation, moisture or other contaminants detrimental to the product prior to installation and storage or installation which allows contact with animals and/or animal waste are not covered by this warranty. Further, this warranty shall not extend to minor hairline cracking in the color-coated finish as well as non-uniform weathering or wear under non-uniform weathering or wear conditions.

This warranty is extended to Buyer as the original purchaser from Seller and is not transferable and non-assignable even if Seller's products are sold or otherwise transferred. No rights against Seller shall be created by transfer or assignment, nor shall any rights against Seller survive any transfer or assignment. No buyer may imply nor permit its customers, distributors, applicators or contractors to claim extension of warranty to any party other than original purchaser.

CONDITIONS OF SALE AND GENERAL INFORMATION

PRICING All prices are subject to change without notice. Prices effective at time of shipment will apply.

CLAIMS All claims for damage or shortage must be made *within 48 hours* from receipt of shipment and supported by transportation company freight bill with such endorsement made and signed by carrier. Our responsibility ceases upon receiving a receipted bill of lading for merchandise delivered in good condition to the transportation company or to the buyer. Examine all shipments carefully upon receipt and before signing the bill of lading or freight bill signed by carrier. Concealed loss of damage should be reported immediately to the carrier. Failure to do this deprives consignee of claim rights. All claims, including overcharge, should be filed by consignee, although we will assist to the best of our ability if the proper documents are submitted to us.

Products found to be defective in material or manufacturing will be replaced at our expense only after inspection. No labor or other expense claims will be honored.

Orders not filled correctly must be reported at once and corrections will be made at our expense.

RETURNS Returned shipments will not be accepted unless written permission has been given by the company. Material returned for credit is subject to a handling charge of 20%, less all freight charges. No credit will be allowed on returned material not in first-class condition. No return will be allowed on special manufactured products. Date of original purchase and invoice number must be supplied on all returned material.

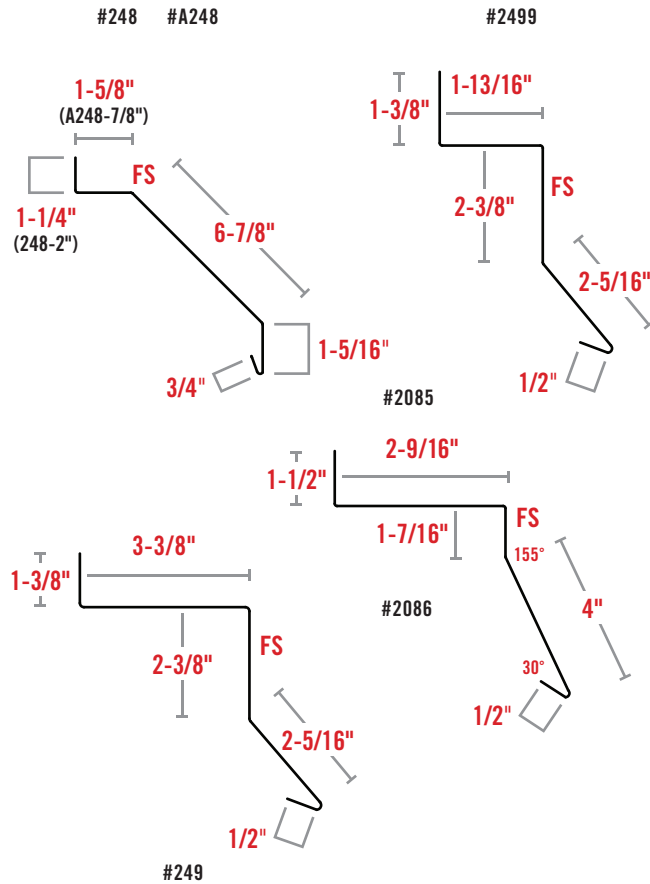
STORING PRODUCTS If moisture is permitted on stored products, white rust can quickly develop. White rust will attack the surface. To prevent that from happening, observe the following:

1. Store materials inside.
2. Make provisions for adequate airflow in storage area.
3. During periods of extreme temperature change, provide heat to prevent concealed condensation.
4. Storage beyond 12 months is not recommended and may result in damage to painted material.
5. Forming of painted material in temperatures of less than 60° may produce unsatisfactory results.
6. Damage to the painted surface may result if formed sheets are stored at the jobsite and exposed to excessive moisture.
7. No claims will be honored for material that has been exposed to the elements during storage.

METAL BUILDING TRIM PRODUCTS

► DOOR-TRACK COVER (ROUND, SQUARE AND OTHER)

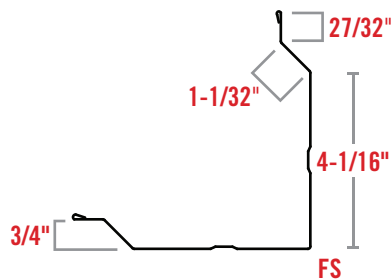
Available in Galvanized (GV10) or Painted in all K-Rib and select colors.



ITEM NUMBER	PRODUCT DESCRIPTION	PACKAGING PER BDL.	WEIGHT PER PIECE
40060-	#248 Door-Track Cover (round) – 10' 1" (for 2" Cannonball or Combo Track)	20 pcs.	6.53 lb.
40080-	#A248 Door-Track Cover (round) – 10' 1" (for 1" Cannonball or Combo Track)	20 pcs.	6.13 lb.
40020-	#2499 Door-Track Cover (square) – 10' (for National Track)	10 pcs.	4.61 lb.
40030-	#249 Door-Track Cover (square) – 10' (for National Track)	10 pcs.	5.40 lb.
82110-	#2085 Door-Track Cover (other) – 10' (for National Track)	10 pcs.	5.48 lb.
82130-	#2086 Door-Track Cover (other) – 10' (for National Track)	10 pcs.	6.24 lb.

► “K” RIBBED RAKE AND CORNER

Available in Galvanized (GV10) or Painted in all K-Rib and select colors.



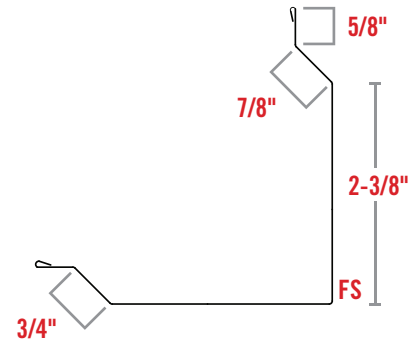
ITEM NUMBER	PRODUCT DESCRIPTION	PACKAGING PER BDL.	WEIGHT PER PIECE
40300-	#221 w/ Hem 12" Rake and Corner – 8'	10 pcs.	5.36 lb.
40310-	#221 w/ Hem 12" Rake and Corner – 10'	10 pcs.	6.70 lb.
40330-	#221 w/ Hem 12" Rake and Corner – 12'	10 pcs.	8.04 lb.
40350-	#221 w/ Hem 12" Rake and Corner – 14'	10 pcs.	9.38 lb.
40370-	#221 w/ Hem 12" Rake and Corner – 16'	10 pcs.	10.72 lb.
40380-	#221 w/ Hem 12" Rake and Corner – 18'	10 pcs.	12.06 lb.

METAL BUILDING TRIM PRODUCTS

► RAKE AND CORNER WITH HEMMED EDGES

Available in Galvanized (GV10) or Painted in all K-Rib and select colors.

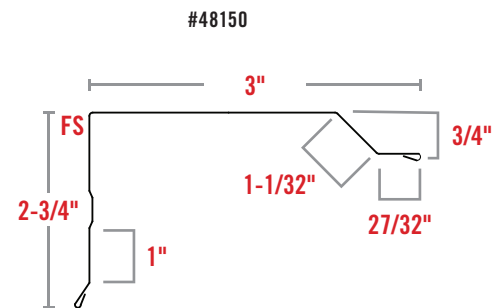
ITEM NUMBER	PRODUCT DESCRIPTION	PACKAGING PER BDL.	WEIGHT PER PIECE
41200-	#2223 w/ Hem 8" Rake and Corner – 10'	10 pcs.	4.58 lb.
41210-	#2223 w/ Hem 8" Rake and Corner – 12'	10 pcs.	5.50 lb.
41220-	#2223 w/ Hem 8" Rake and Corner – 14'	10 pcs.	6.41 lb.
41230-	#2223 w/ Hem 8" Rake and Corner – 16'	10 pcs.	7.20 lb.



► RAKE TRIM WITH HEMMED EDGES

Available in Galvanized (GV10) or Painted in all K-Rib and select colors.

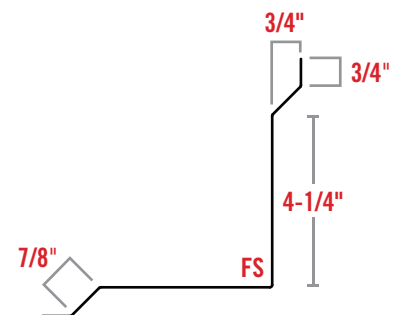
ITEM NUMBER	PRODUCT DESCRIPTION	PACKAGING PER BDL.	WEIGHT PER PIECE
40600-	#223 w/ Hem 14" Rake and Corner – 8'	10 pcs.	6.98 lb.
40610-	#223 w/ Hem 14" Rake and Corner – 10'	10 pcs.	8.72 lb.
40630-	#223 w/ Hem 14" Rake and Corner – 12'	10 pcs.	9.92 lb.
40650-	#223 w/ Hem 14" Rake and Corner – 14'	10 pcs.	12.21 lb.
40660-	#223 w/ Hem 14" Rake and Corner – 16'	10 pcs.	13.95 lb.
48150-	K-Rib Rake Trim – 10'	10 pcs.	4.51 lb.



► INSIDE CORNER TRIM

Available in Galvanized (GV10) or Painted in all K-Rib and select colors.

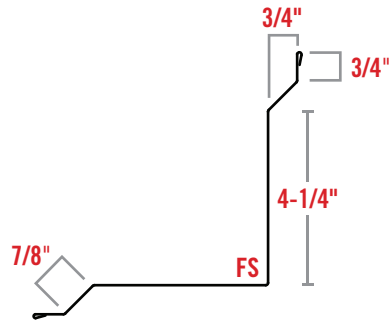
ITEM NUMBER	PRODUCT DESCRIPTION	PACKAGING PER BDL.	WEIGHT PER PIECE
40700-	#225 Inside Corner Trim – 10'	10 pcs.	6.60 lb.
40710-	#225 Inside Corner Trim – 12'	10 pcs.	7.92 lb.
40720-	#225 Inside Corner Trim – 14'	10 pcs.	9.24 lb.



METAL BUILDING TRIM PRODUCTS

► INSIDE CORNER TRIM WITH HEMMED EDGES

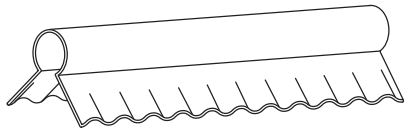
Available in Galvanized (GV10) or Painted in all K-Rib and select colors.



ITEM NUMBER	PRODUCT DESCRIPTION	PACKAGING PER BDL.	WEIGHT PER PIECE
40800-	#225 w/ Hem Inside Corner Trim – 10'	10 pcs.	6.70 lb.
40810-	#225 w/ Hem Inside Corner Trim – 12'	10 pcs.	8.04 lb.
40820-	#225 w/ Hem Inside Corner Trim – 14'	10 pcs.	9.38 lb.

► CORRUGATED RIDGE ROLL

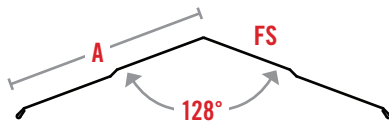
Available in Galvanized (GV10).



ITEM NUMBER	PRODUCT DESCRIPTION	PACKAGING PER BDL.	WEIGHT PER PIECE
34000-GV10	1-1/4" Corrugated Ridge Roll 10' – 10" Girth	10 pcs.	5.50 lb.
34010-GV10	1-1/4" Corrugated Ridge Roll 10' Econ (L-Ga.) – 10" Girth	10 pcs.	4.67 lb.
34040-GV10	2-1/2" Corrugated Ridge Roll 10' – 10" Girth	10 pcs.	5.50 lb.
34050-GV10	2-1/2" Corrugated Ridge Roll 10' Econ (L-Ga.) – 10" Girth	10 pcs.	4.67 lb.

► RIDGE CAP WITH HEMMED EDGES

Available in Galvanized (GV10) or Painted in all K-Rib and select colors.



ITEM NUMBER	PRODUCT DESCRIPTION	PACKAGING PER BDL.	WEIGHT PER PIECE
41500-	#206 w/ Hems 14" Ridge Cap – 10'	10 pcs.	8.61 lb.
41520-	#206 w/ Hems 14" Ridge Cap – 10' 6"	10 pcs.	9.03 lb.
41750-	#2066 w/ Hems 20" Ridge Cap – 10'	10 pcs.	12.22 lb.
41760-	#2066 w/ Hems 20" Ridge Cap – 10' 6"	10 pcs.	12.82 lb.

DIMENSIONS

	A
#206	6-7/8"
#2066	9-7/8"

METAL BUILDING TRIM PRODUCTS

► RIDGE ROLL

Available in Galvanized (GV10), Copper (CP16) or Painted in K-Rib and select colors.

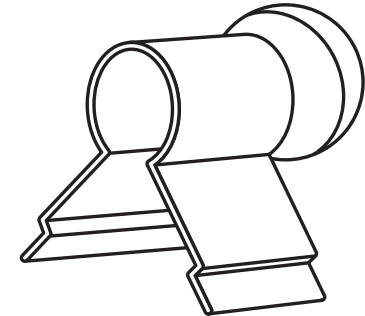
ITEM NUMBER	PRODUCT DESCRIPTION	PACKAGING PER BDL.	WEIGHT PER PIECE
31620-	#202 2" Pin Ridge Roll 10' – 10" Girth	10 pcs.	5.50 lb.
31630-	#202 2" Pin Ridge Roll 10' Econ (L-Ga.) – 10" Girth	10 pcs.	4.75 lb.
41300-	#203 14" Ridge Roll 10' – 14" Girth	10 pcs.	7.70 lb.
41301-	#203 14" Ridge Roll 10' Econ (L-Ga.) – 14" Girth	10 pcs.	6.65 lb.
41310-	#2033 12" Ridge Roll 10' – 12" Girth	10 pcs.	6.60 lb.
41311-	#2033 12" Ridge Roll 10' Econ (L-Ga.) – 12" Girth	10 pcs.	5.70 lb.



► GLOBE FINIALS

Available in Galvanized (GV10) and Copper (CP16) only.

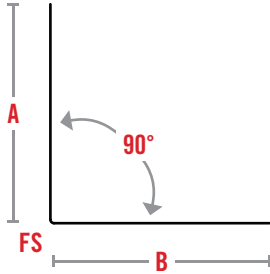
ITEM NUMBER	PRODUCT DESCRIPTION	PACKAGING PER BDL.	WEIGHT PER PIECE
31650-GV10	2" Globe Finial	20 pcs.	.45 lb.



METAL BUILDING TRIM PRODUCTS

▶ ANGLE FLASHING

Available in Galvanized (GV10) or Painted in all K-Rib and select colors.



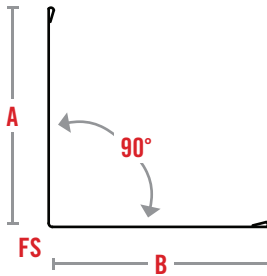
DIMENSIONS

	A	B
#2560	1"	3"
#2565	1-1/2"	2-1/2"
#2567	1-1/2"	4-3/8"
#2568	1-1/2"	5"
#2570	2"	4"
#2600	4"	4"
#2605	4"	6"
#2610	5"	5"
#2620	6"	6"
#2580	2-1/2"	2-1/2"
#2590	3"	4"

ITEM NUMBER	PRODUCT DESCRIPTION	PACKAGING PER BDL.	WEIGHT PER PIECE
33300-	#2560 1" x 3" Angle Flashing – 10'	25 pcs.	2.20 lb.
33330-	#2565 1-1/2" x 2-1/2" Angle Flashing – 10'	25 pcs.	2.20 lb.
33360-	#2567 1-1/2" x 4-3/8" Angle Flashing – 10'	25 pcs.	3.23 lb.
33370-	#2568 1-1/2" x 5" Angle Flashing – 10'	25 pcs.	3.58 lb.
33380-	#2570 2" x 4" Angle Flashing – 10'	25 pcs.	3.30 lb.
33400-	#2580 2-1/2" x 2-1/2" Angle Flashing – 10'	25 pcs.	2.75 lb.
33420-	#2590 3" x 4" Angle Flashing – 10'	10 pcs.	3.85 lb.
33430-	#2600 4" x 4" Angle Flashing – 10'	10 pcs.	4.40 lb.
33540-	#2605 4" x 6" Angle Flashing – 10'	10 pcs.	5.50 lb.
33500-	#2610 5" x 5" Angle Flashing – 10'	10 pcs.	5.50 lb.
33600-	#2620 6" x 6" Angle Flashing – 10'	10 pcs.	6.60 lb.

▶ ANGLE FLASHING WITH HEMMED EDGES

Available in Galvanized (GV10) or Painted in all K-Rib and select colors.



DIMENSIONS

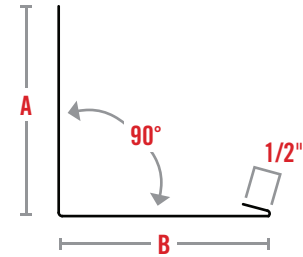
	A	B
#2560	1"	3"
#254	1-1/2"	1-1/2"
#2565	1-1/2"	1-1/2"
#255	2"	2"
#256	3"	3"
#2585	3-1/2"	3-1/2"
#2600	4"	4"
#2605	4"	6"
#2610	5"	5"
#2620	6"	6"

ITEM NUMBER	PRODUCT DESCRIPTION	PACKAGING PER BDL.	WEIGHT PER PIECE
33310-	#2560 w/ 2 Hems 1" x 3" Angle Flashing – 10'	10 pcs.	2.40 lb.
42250-	#254 w/ 2 Hems 1-1/2" x 1-1/2" Angle Flashing – 10'	10 pcs.	1.85 lb.
42255-	#254 w/ 2 Hems 1-1/2" x 1-1/2" Angle Flashing – 12'	10 pcs.	2.18 lb.
33340-	#2565 w/ 2 Hems 1-1/2" x 2-1/2" Angle Flashing – 10'	10 pcs.	2.40 lb.
42270-	#255 w/ 2 Hems 2" x 2" Angle Flashing – 10'	10 pcs.	2.40 lb.
42290-	#256 w/ 2 Hems 3" x 3" Angle Flashing – 10'	10 pcs.	3.50 lb.
42295-	#256 w/ 2 Hems 3" x 3" Angle Flashing – 12'	10 pcs.	4.16 lb.
33415-	#2585 w/ 2 Hems 3-1/2" x 3-1/2" Angle Flashing – 10'	10 pcs.	4.05 lb.
33460-	#2600 w/ 2 Hems 4" x 4" Angle Flashing – 10'	10 pcs.	4.60 lb.
33550-	#2605 w/ 2 Hems 4" x 6" Angle Flashing – 10'	10 pcs.	5.70 lb.
33510-	#2610 w/ 2 Hems 5" x 5" Angle Flashing – 10'	10 pcs.	5.70 lb.
33610-	#2620 w/ 2 Hems 6" x 6" Angle Flashing – 10'	10 pcs.	6.80 lb.

▶ ANGLE FLASHING WITH LIP (TURN-BACK)

Available in Galvanized (GV10) or Painted in all K-Rib and select colors.

ITEM NUMBER	PRODUCT DESCRIPTION	PACKAGING PER BDL.	WEIGHT PER PIECE
87535-GV10	#2530 2" x 6" Angle Flashing w/ Lip (.012) – 10'	10 pcs.	4.00 lb.
87530-	#2530 2" x 6" Angle Flashing w/ Lip Std. Ga. – 10'	10 pcs.	6.42 lb.
87350-GV10	#2494 3" x 3-1/2" Angle Flashing w/ Lip (.012) – 10'	10 pcs.	3.29 lb.
87355-	#2494 3" x 3-1/2" Angle Flashing w/ Lip Std. Ga. – 10'	10 pcs.	5.29 lb.
87341-GV10	#2493 4" x 3-1/2" Angle Flashing w/ Lip (.012) – 10'	10 pcs.	3.76 lb.
87342-	#2493 4" x 3-1/2" Angle Flashing w/ Lip Std. Ga. – 10'	10 pcs.	4.37 lb.
87340-	#2493 4" x 3-1/2" Angle Flashing w/ Lip 26 Ga. – 12'	10 pcs.	6.04 lb.
85720-GV10	#2314 4" x 4" Angle Flashing w/ Lip (.012) – 10'	10 pcs.	4.00 lb.
85718-	#2214 4" x 4" Angle Flashing w/ Lip Std. Ga. – 10'	10 pcs.	4.65 lb.
86670-GV10	#2415 4" x 4-1/2" Angle Flashing w/ Lip (.012) – 10'	10 pcs.	4.22 lb.
86675-	#2415 4" x 4-1/2" Angle Flashing w/ Lip Std. Ga. – 10'	10 pcs.	4.92 lb.
86000-GV10	#2347 4" x 5" Angle Flashing w/ Lip (.012) – 10'	10 pcs.	4.45 lb.
86005-	#2347 4" x 5" Angle Flashing w/ Lip Std. Ga. – 10'	10 pcs.	5.19 lb.
85650-GV10	#2299 5" x 4-1/2" Angle Flashing w/ Lip (.012) – 10'	10 pcs.	4.71 lb.
85651-	#2299 5" x 4-1/2" Angle Flashing w/ Lip Std. Ga. – 10'	10 pcs.	5.47 lb.
85980-GV10	#2345 6" x 4-1/2" Angle Flashing w/ Lip (.012) – 10'	10 pcs.	5.18 lb.
85985-	#2345 6" x 4-1/2" Angle Flashing w/ Lip Std. Ga. – 10'	10 pcs.	6.01 lb.
86220-GV10	#2369 6" x 5-1/2" Angle Flashing w/ Lip (.012) – 10'	10 pcs.	6.28 lb.
86221-	#2369 6" x 5-1/2" Angle Flashing w/ Lip Std. Ga. – 10'	10 pcs.	6.56 lb.
86222-	#2369 6" x 5-1/2" Angle Flashing w/ Lip 26 Ga. – 10'	10 pcs.	9.06 lb.
85970-GV10	#2344 6" x 6" Angle Flashing w/ Lip (.012) – 10'	10 pcs.	6.54 lb.
85971-	#2344 6" x 6" Angle Flashing w/ Lip Std. Ga. – 10'	10 pcs.	6.83 lb.
85972-	#2344 6" x 6" Angle Flashing w/ Lip 26 Ga. – 10'	10 pcs.	9.44 lb.
86280-GV10	#2346 6" x 11" Angle Flashing w/ Lip (.012) – 10'	10 pcs.	9.16 lb.
86285-	#2346 6" x 11" Angle Flashing w/ Lip Std. Ga. – 10'	10 pcs.	9.57 lb.



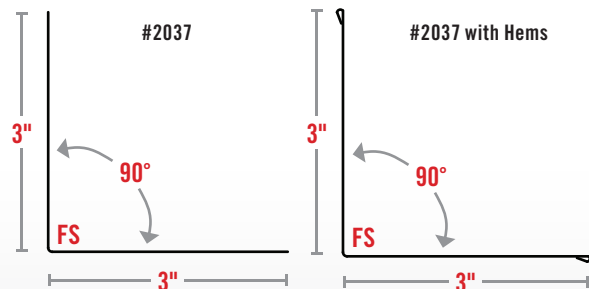
DIMENSIONS

	A	B
#2530	2"	6"
#2494	3"	3-1/2"
#2493	4"	3-1/2"
#2314	4"	4"
#2214	4"	4"
#2415	4"	4-1/2"
#2347	4"	5"
#2299	5"	4-1/2"
#2345	6"	4-1/2"
#2369	6"	5-1/2"
#2344	6"	6"
#2346	6"	11"

▶ INSIDE ANGLE FLASHING

Available in Galvanized (GV10) or Painted in all K-Rib and select colors.

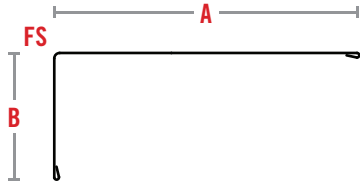
ITEM NUMBER	PRODUCT DESCRIPTION	PACKAGING PER BDL.	WEIGHT PER PIECE
42300	#2037 Inside Angle Flashing – 10'	25 pcs.	3.30 lb.
42302	#2037 Inside Angle Flashing – 12'	25 pcs.	3.96 lb.
42310	#2037 Inside Angle Flashing w/ Hem – 10'	10 pcs.	3.60 lb.



METAL BUILDING TRIM PRODUCTS

▶ DOOR-EDGE TRIM WITH HEMMED EDGES

Available in Galvanized (GV10) or Painted in all K-Rib and select colors.



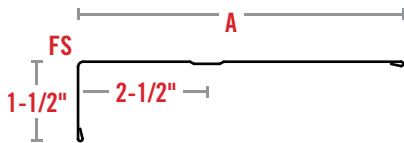
ITEM NUMBER	PRODUCT DESCRIPTION	PACKAGING PER BDL.	WEIGHT PER PIECE
42370-	#2505 w/ 2 Hems Door-Edge Trim – 10'	10 pcs.	2.14 lb.
42380-	#2505 w/ 2 Hems Door-Edge Trim – 12'	10 pcs.	2.53 lb.
42410-	#2078 w/ 2 Hems Door-Edge Trim – 10'	10 pcs.	1.86 lb.

DIMENSIONS

	A	B
#2505	2"	1-1/2"
#2078	2"	1"

▶ “K” RIBBED DOOR-EDGE AND DOOR-POST TRIM

Available in Galvanized (GV10) or Painted in all K-Rib and select colors.



ITEM NUMBER	PRODUCT DESCRIPTION	PACKAGING PER BDL.	WEIGHT PER PIECE
42610-	#2930 w/ 2 Hems Door-Edge Trim – 10'	25 pcs.	2.96 lb.
42620-	#2930 w/ 2 Hems Door-Edge Trim – 12'	25 pcs.	3.52 lb.
42760-	#244 w/ 2 Hems Door-Post Trim – 10'	20 pcs.	4.06 lb.
42780-	#244 w/ 2 Hems Door-Post Trim – 12'	20 pcs.	4.84 lb.
42860-	#2036 w/ 2 Hems Door-Post Trim – 10'	20 pcs.	5.17 lb.
42880-	#2036 w/ 2 Hems Door-Post Trim – 12'	20 pcs.	6.15 lb.
42910-	#271 w/ 2 Hems Door-Post Trim – 10'	20 pcs.	5.38 lb.
43010-	#273 w/ 2 Hems Door-Post Trim – 10'	10 pcs.	6.48 lb.

DIMENSIONS

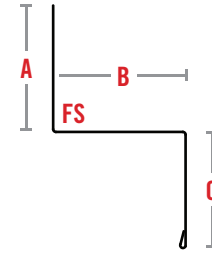
	A
#2930	3-1/2"
#244	5-1/2"
#2036	7-1/2"
#271	8"
#273	10"

METAL BUILDING TRIM PRODUCTS

► DOUBLE-ANGLE TRIM WITH HEMMED EDGE

Available in Galvanized (GV10) or Painted in all K-Rib and select colors.

ITEM NUMBER	PRODUCT DESCRIPTION	PACKAGING PER BDL.	WEIGHT PER PIECE
43110-	#242 w/ Hem Double-Angle Trim – 10'	50 pcs.	1.41 lb.
43160-	#2242 w/ Hem Double-Angle Trim – 10'	50 pcs.	1.41 lb.
43165-	#2242 w/ Hem Double-Angle Trim – 12'	25 pcs.	1.54 lb.
43190-	#2504 w/ Hem Double-Angle Inside Retainer – 10'	25 pcs.	1.96 lb.
43210-	#2035 w/ Hem Double-Angle Trim – 10'	25 pcs.	2.16 lb.
43240-	#274 w/ Hem Double-Angle Trim – 10'	25 pcs.	1.96 lb.
43270-	#2099 w/ Hem Double-Angle Trim – 10'	25 pcs.	3.13 lb.
43300-	#2073 w/ Hem Double-Angle Trim – 10'	25 pcs.	2.58 lb.
43370-	#275 w/ Hem Double-Angle Trim – 10'	25 pcs.	3.02 lb.
43400-	#276 w/ Hem Double-Angle Trim – 10'	25 pcs.	2.23 lb.
43440-	#283 w/ Hem Double-Angle Trim – 10'	25 pcs.	2.51 lb.
43490-	#285 w/ Hem Double-Angle Trim – 10'	25 pcs.	1.96 lb.
43500-	#285 w/ Hem Double-Angle Trim – 12'	25 pcs.	2.33 lb.
43320-	#2211 Trackboard Cover – 10'	20 pcs.	4.68 lb.
43120-	#2228 w/ Hem Double-Angle Trim – 10'	50 pcs.	1.31 lb.



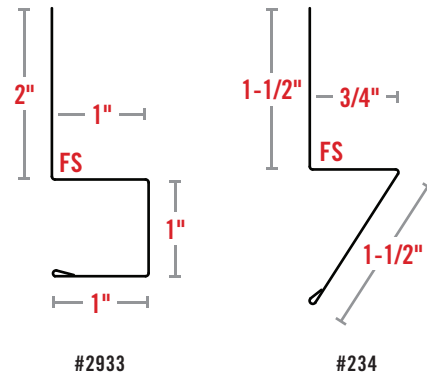
DIMENSIONS

	A	B	C
#242	1"	3/4"	5/8"
#2242	1"	1"	5/8"
#2504	1"	1-3/4"	5/8"
#2035	1-1/2"	3/4"	1-1/2"
#274	1-3/4"	1-1/8"	1/2"
#2099	2"	1-1/4"	2-1/4"
#2073	1-1/2"	1-1/2"	1-1/2"
#275	1-5/8"	1-1/2"	2-3/16"
#276	1-1/2"	1-3/4"	5/8"
#283	1-1/2"	2-1/4"	5/8"
#285	1-1/2"	3/4"	1-1/8"
#2211	5"	1-1/2"	2"
#2228	1-1/2"	7/8"	1-1/8"

► BOTTOM CLOSURE/DOOR GUIDE AND RAT GUARD II

Available in Galvanized (GV10) or Painted in all K-Rib and select colors.

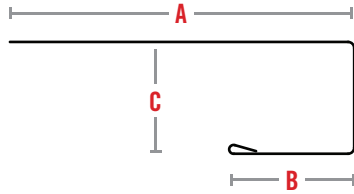
ITEM NUMBER	PRODUCT DESCRIPTION	PACKAGING PER BDL.	WEIGHT PER PIECE
43580-	#2933 w/ Hem Bottom Closure and Door Guide – 10'	10 pcs.	2.84 lb.
43590-	#2933 w/ Hem Bottom Closure and Door Guide – 12'	10 pcs.	3.41 lb.
43620-	#234 Rat Guard II – 10'	20 pcs.	2.17 lb.
43625-	#234 Rat Guard II – 12'	20 pcs.	2.60 lb.



METAL BUILDING TRIM PRODUCTS

► “J” CHANNEL AND FRAMING CLOSURE WITH HEMMED EDGE

Available in Galvanized (GV10) or Painted in all K-Rib and select colors.



DIMENSIONS

	A	B	C
#246	3"	2"	5/8"
#2466	3"	2"	7/8"
#250	3-1/2"	1"	1-1/2"
#251	2-3/4"	1"	1-1/4"
#252	3"	1"	1"
#2077	1-1/4"	1/2"	1/2"
#259	3"	2"	1"
#2900	1-1/2"	3/4"	7/8"
#2987	2-1/2"	1"	3/4"
#2209	2"	1"	5/8"
#2206	2-1/2"	1"	2"
#266	2-1/8"	7/8"	7/8"

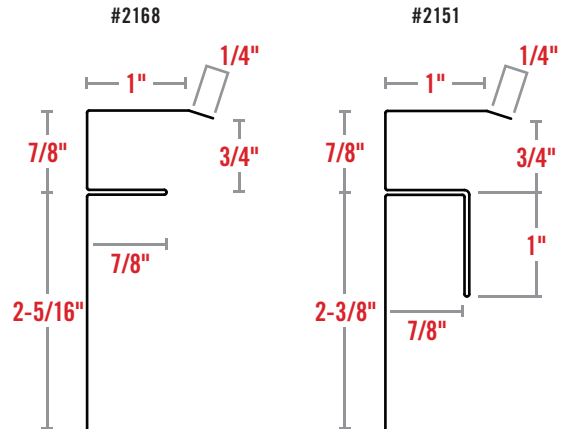
ITEM NUMBER	PRODUCT DESCRIPTION	PACKAGING PER BDL.	WEIGHT PER PIECE
43850-	#246 w/ Hem Framing Closure – 10'	20 pcs.	3.19 lb.
43860-	#246 w/ Hem Framing Closure – 12'	20 pcs.	3.83 lb.
43950-	#2466 w/ Hem Framing Closure – 10'	20 pcs.	3.19 lb.
43960-	#2466 w/ Hem Framing Closure – 12'	20 pcs.	3.83 lb.
44010-	#250 w/ Hem Door-Edge Cover – 10'	25 pcs.	3.40 lb.
44060-	#251 w/ Hem J Channel – 10'	25 pcs.	2.85 lb.
44090-	#252 w/ Hem J Channel – 10'	25 pcs.	2.85 lb.
44160-	#2077 w/ Hem J Trim – 10'	50 pcs.	1.34 lb.
44190-	#259 w/ Hem J Trim – 10'	25 pcs.	3.40 lb.
44210-	#259 w/ Hem J Trim – 14'	25 pcs.	4.76 lb.
44270-	#2900 w/ Hem J Channel – 10'	50 pcs.	1.82 lb.
44280-	#2900 w/ Hem J Channel – 12'	50 pcs.	2.18 lb.
44310-	#2987 w/ Hem Framing Closure – 10'	25 pcs.	2.20 lb.
44320-	#2987 w/ Hem Framing Closure – 12'	25 pcs.	2.64 lb.
44400-	#2209 w/ Hem J Trim – 10'	25 pcs.	2.09 lb.
44410-	#2209 w/ Hem J Trim – 12'	25 pcs.	2.51 lb.
44470-	#2206 w/ Hem Door and Window Header Trim – 10'	25 pcs.	3.13 lb.
44480-	#266 w/ Hem Framing Closure – 10'	20 pcs.	2.23 lb.
44488-	#266 w/ Hem Framing Closure – 12'	20 pcs.	2.68 lb.
Non-Hem J Channel and Framing Closure			
44000-	#250 Door-Edge Cover – 10'	25 pcs.	3.30 lb.
44050-	#251 J Channel – 10'	25 pcs.	2.75 lb.
44080-	#252 J Channel – 10'	25 pcs.	2.75 lb.
44150-	#2077 J Trim – 10'	50 pcs.	1.24 lb.
44180-	#259 J Trim – 10'	25 pcs.	3.40 lb.

METAL BUILDING TRIM PRODUCTS

► “K” RIBBED F, F AND J TRIM

Available in Galvanized (GV10) or Painted in all K-Rib and select colors. 7/8" opening on both products allows for one profile to be used with K-Ribbed Soffit, Liner or Roofing Panel. **Spiral-wrapped packaging.**

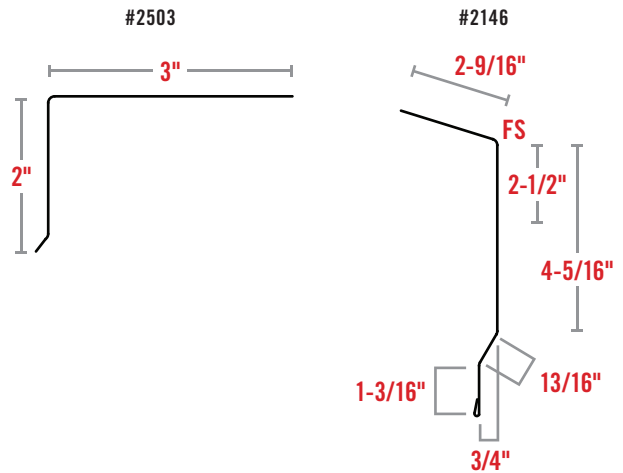
ITEM NUMBER	PRODUCT DESCRIPTION	PACKAGING PER BDL.	WEIGHT PER PIECE
83830-	#2168 F Trim – 10'	10 pcs.	3.37 lb.
83650-	#2151 F and J Trim – 10'	10 pcs.	4.51 lb.



► EAVES TRIM AND FASCIA TRIM

Available in Galvanized (GV10) or Painted in all K-Rib and select colors.

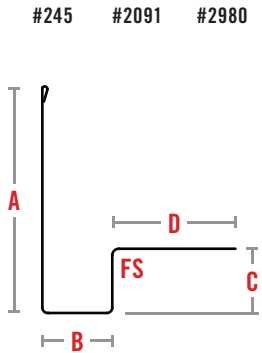
ITEM NUMBER	PRODUCT DESCRIPTION	PACKAGING PER BDL.	WEIGHT PER PIECE
44790-	#2503 Eaves Trim – 10'	25 pcs.	2.75 lb.
44795-	#2503 Eaves Trim – 12'	25 pcs.	3.30 lb.
44630-	#2146 Fascia Trim w/ Hem – 10'	10 pcs.	4.88 lb.
44640-	#2146 Fascia Trim w/ Hem – 12'	10 pcs.	5.86 lb.



METAL BUILDING TRIM PRODUCTS

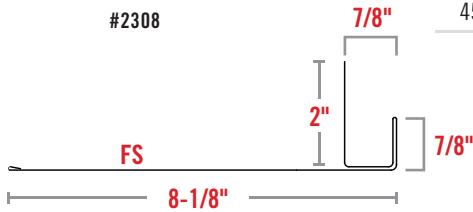
► DOOR-JAMB TRIM WITH HEMMED EDGE

Available in Galvanized (GV10) or Painted in all K-Rib and select colors.



DIMENSIONS

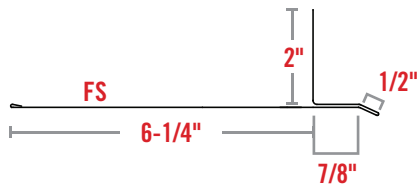
	A	B	C	D
#245	4"	1-5/8"	1-1/2"	2"
#2091	7-1/2"	1-5/8"	1-1/2"	2"
#2980	9"	1-5/8"	1-1/2"	2"
#2308	8-1/8"	7/8"	7/8"	2"



ITEM NUMBER	PRODUCT DESCRIPTION	PACKAGING PER BDL.	WEIGHT PER PIECE
45052-	#245 w/ Hem Door-Jamb Trim – 10' 4"	10 pcs.	5.05 lb.
45062-	#245 w/ Hem Door-Jamb Trim – 12' 4"	10 pcs.	6.04 lb.
45072-	#245 w/ Hem Door-Jamb Trim – 14' 4"	10 pcs.	7.03 lb.
45081-	#245 w/ Hem Door-Jamb Trim – 16' 4"	10 pcs.	7.98 lb.
45152-	#2091 w/ Hem Door-Jamb Trim – 10' 4"	10 pcs.	6.25 lb.
45162-	#2091 w/ Hem Door-Jamb Trim – 12' 4"	10 pcs.	7.48 lb.
45173-	#2091 w/ Hem Door-Jamb Trim – 14' 4"	10 pcs.	8.71 lb.
45176-	#2091 w/ Hem Door-Jamb Trim – 16' 4"	10 pcs.	9.88 lb.
45263-	#2980 w/ Hem Door-Jamb Trim – 10' 4"	10 pcs.	7.87 lb.
45273-	#2980 w/ Hem Door-Jamb Trim – 12' 4"	10 pcs.	9.42 lb.
45281-	#2980 w/ Hem Door-Jamb Trim – 14' 4"	10 pcs.	10.98 lb.
45282-	#2980 w/ Hem Door-Jamb Trim – 16' 4"	10 pcs.	12.44 lb.
45931-	#2308 w/ Hem K-Ribbed Door Jamb – 10' 4"	10 pcs.	19.14 lb.
45932-	#2308 w/ Hem K-Ribbed Door Jamb – 12' 4"	10 pcs.	22.96 lb.
45933-	#2308 w/ Hem K-Ribbed Door Jamb – 14' 4"	10 pcs.	26.54 lb.
45934-	#2308 w/ Hem K-Ribbed Door Jamb – 16' 4"	10 pcs.	30.61 lb.

► OVERHEAD DOOR TRIM

Available in Galvanized (GV10) or Painted in all K-Rib and select colors.



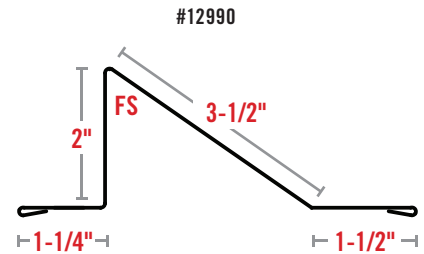
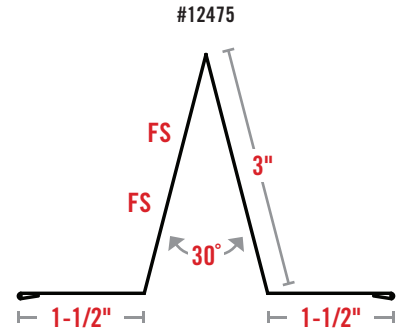
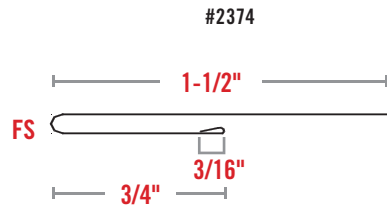
ITEM NUMBER	PRODUCT DESCRIPTION	PACKAGING PER BDL.	WEIGHT PER PIECE
87280-	#12478 Overhead Door Trim – 12' 4"	10 pcs.	22.62 lb.

METAL BUILDING TRIM PRODUCTS

► SPECIALTY TRIMS

Available in Galvanized (GV10) or Painted in all K-Rib and select colors.

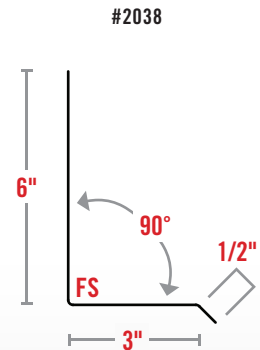
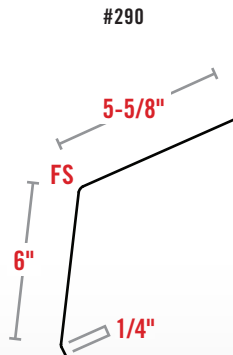
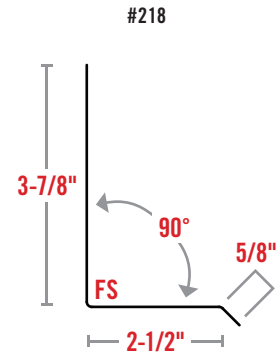
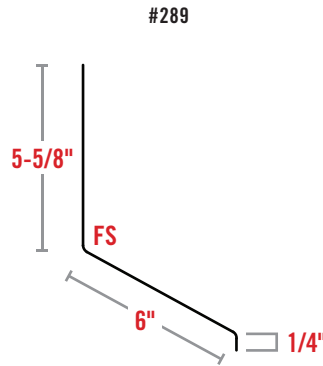
ITEM NUMBER	PRODUCT DESCRIPTION	PACKAGING PER BDL.	WEIGHT PER PIECE
86250-	#12475 Snow Cleat – 10'	10 pcs.	15.77 lb.
88160-	#12990 Snow Guard UT-14 – 10'	10 pcs.	16.41 lb.
86270-	#2374 Edge Protector – 10'	10 pcs.	6.07 lb.



► ENDWALL AND SIDEWALL FLASHING AND GAMBREL ROOF JOINT

Available in Galvanized (GV10) or Painted in all K-Rib and select colors.

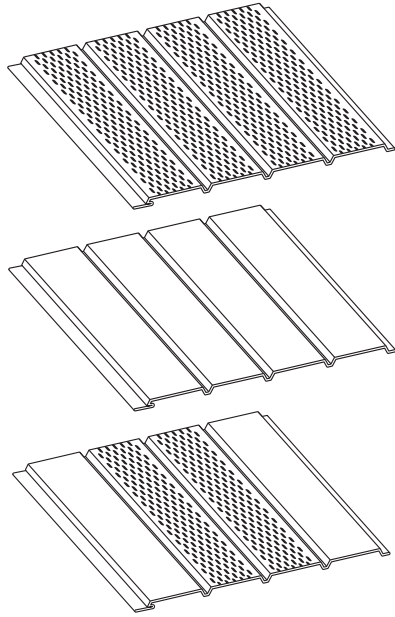
ITEM NUMBER	PRODUCT DESCRIPTION	PACKAGING PER BDL.	WEIGHT PER PIECE
46260-	#289 Endwall Flashing – 10'	10 pcs.	6.60 lb.
46261-	#289 Endwall Flashing – 12'	10 pcs.	7.92 lb.
46360-	#218 Sidewall Flashing – 10'	20 pcs.	3.58 lb.
46361-	#218 Sidewall Flashing – 12'	20 pcs.	4.30 lb.
46380-	#2038 Sidewall Flashing – 10'	20 pcs.	5.23 lb.
46280-	#290 Gambrel Roof Joint – 10'	20 pcs.	6.53 lb.



METAL BUILDING TRIM PRODUCTS

▶ ALUMINUM SOFFIT

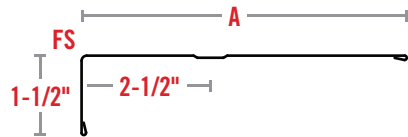
12', 11' 3/4", 15' 3/4" and 23' 3/4" aluminum soffit are available in all K-Rib colors.



ITEM NUMBER	PRODUCT DESCRIPTION	PACKAGING PER CTN.	WEIGHT PER PIECE
48332-	16WSS Aluminum 16" Solid Soffit – 11' 3/4"	12 pcs.	.36 lb.
48333-	16WSS Aluminum 16" Solid Soffit – 15' 3/4"	12 pcs.	.54 lb.
48335-	16WSS Aluminum 16" Solid Soffit – 23' 3/4"	12 pcs.	.73 lb.
48330-	16WSS Aluminum 16" Solid Soffit – 12'	12 pcs.	4.44 lb.
48342-	16WVS Aluminum 16" Full-Vent Soffit – 11' 3/4"	12 pcs.	.36 lb.
48343-	16WVS Aluminum 16" Full-Vent Soffit – 15' 3/4"	12 pcs.	.54 lb.
48345-	16WVS Aluminum 16" Full-Vent Soffit – 23' 3/4"	12 pcs.	.73 lb.
48340-	16WVS Aluminum 16" Full-Vent Soffit – 12'	12 pcs.	4.44 lb.
48352-	16CVS 16" Center-Vent Soffit – 11-3/4"	12 pcs.	.36 lb.
48353-	16CVS 16" Center-Vent Soffit – 15-3/4"	12 pcs.	.54 lb.
48355-	16CVS 16" Center-Vent Soffit – 23-3/4"	12 pcs.	.73 lb.
48350-	16CVS 16" Center-Vent Soffit – 12'	12 pcs.	4.44 lb.

▶ “K” RIBBED FASCIA TRIM AND DOOR-POST TRIM WITH HEMMED EDGES

Available in Galvanized (GV10) or Painted in all K-Rib and select colors.



ITEM NUMBER	PRODUCT DESCRIPTION	PACKAGING PER BDL.	WEIGHT PER PIECE
42790	#241 w/ 2 Hems Fascia Trim – 10'	20 pcs.	4.44 lb.
42910	#271 w/ 2 Hems Door-Post Trim – 10'	20 pcs.	5.38 lb.
43010	#273 w/ 2 Hems Door-Post Trim – 10'	20 pcs.	6.48 lb.

DIMENSIONS

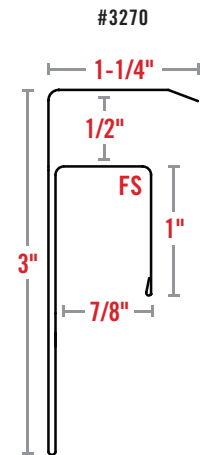
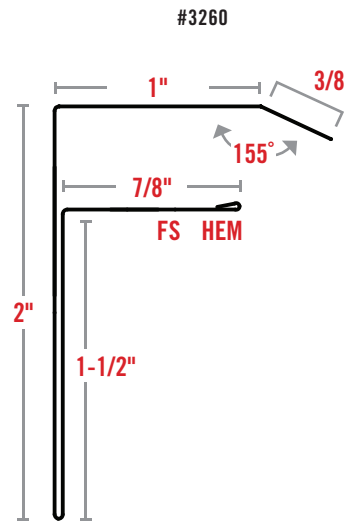
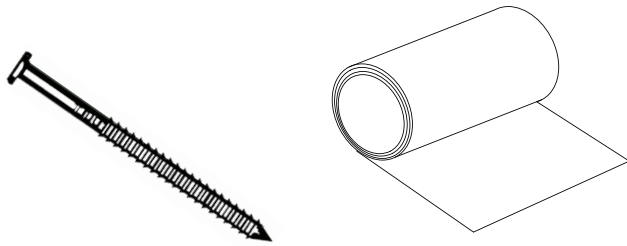
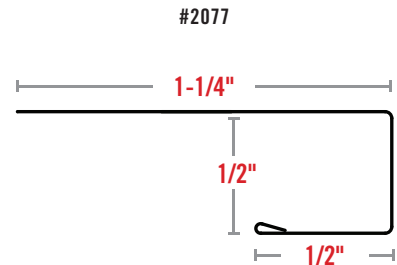
	A
#241	5-7/8"
#271	8"
#273	10"

METAL BUILDING TRIM PRODUCTS

► “J” CHANNEL – F AND F AND J TRIM FOR ALUMINUM SOFFIT

Trim available in Galvanized (GV10) or Painted in all K-Rib colors. Painted Trim Nails and Painted Aluminum Trim Coil available in all K-Rib colors.

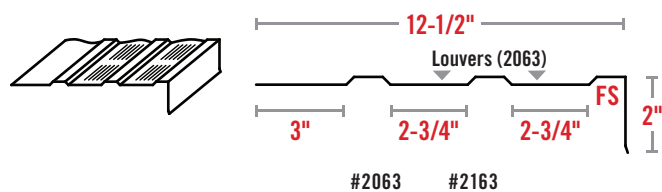
ITEM NUMBER	PRODUCT DESCRIPTION	PACKAGING PER BDL.	WEIGHT PER PIECE
44160-	#2077 w/ Hem Steel 1/2" J Channel – 10'	10 pcs.	3.44 lb.
89270-	#3260 Steel F Channel Soffit Runner for Aluminum Soffit – 10'	10 pcs.	8.59 lb.
88440-	#3270 Steel F and J Trim for Aluminum Soffit – 10'	10 pcs.	10.43 lb.
30217-	18-1/2" Rolls Painted Aluminum Trim Coil Smooth – 50'	Each	18.50 lb.
48650-	1-1/4" Stainless-Steel Trim Nails (1-lb. box)	Ctn.	1.16 lb.



► LOUVERED AND NON-LOUVERED SOFFIT TRIM

Available in Painted – White (WH20), Brite White (WH23) or Cocoa Brown (BN50) only.

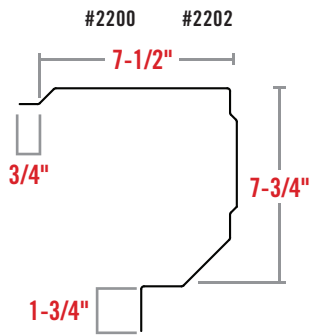
ITEM NUMBER	PRODUCT DESCRIPTION	PACKAGING PER BDL.	WEIGHT PER PIECE
46600-	#2063 12-1/2" Louvered Soffit Trim – 12' 1"	10 pcs.	10.87 lb.
46640-	#2163 12-1/2" Non-Louvered Soffit Trim – 12' 1"	10 pcs.	10.87 lb.



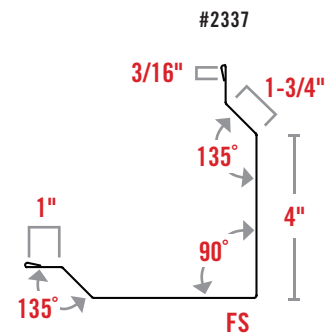
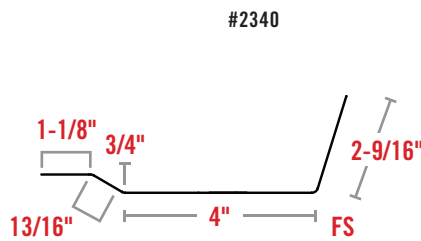
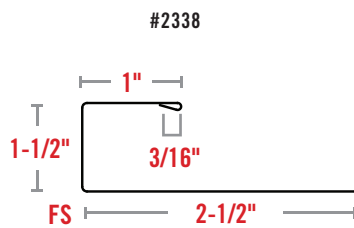
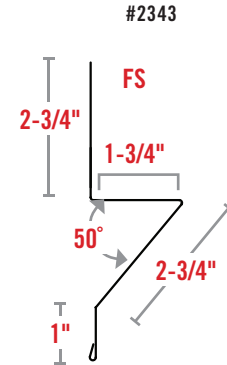
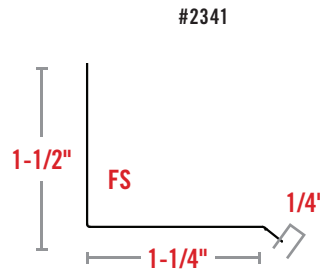
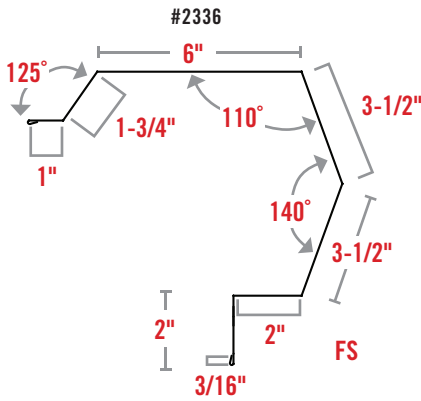
METAL BUILDING TRIM PRODUCTS

► COMMERCIAL AND R-PANEL RAKE TRIM

Available in Galvanized (GV10) or Painted in all K-Rib and select colors.



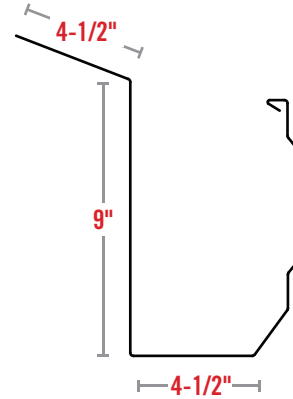
ITEM NUMBER	PRODUCT DESCRIPTION	PACKAGING PER BDL.	WEIGHT PER PIECE
Commercial Rake Trim			
46460-	#2200 Commercial Rake Trim – 10'	10 pcs.	12.50 lb.
46470-	#2202 Commercial Rake Trim – 12'	10 pcs.	15.00 lb.
R-Panel Rake Trim			
85890-	#2336 R-Panel Rake Trim – 10'	N/A	21.74 lb.
85900-	#2337 R-Panel Outside Corner Trim – 10'	N/A	15.88 lb.
85902-	#2337 R-Panel Outside Corner Trim – 12'	N/A	19.05 lb.
85904-	#2337 R-Panel Outside Corner Trim – 14'	N/A	22.22 lb.
85905-	#2337 R-Panel Outside Corner Trim – 16'	N/A	25.40 lb.
85910-	#2338 R-Panel Head Trim – 10'	N/A	5.87 lb.
85940-	#2341 R-Panel Window Drip Trim – 10'	N/A	4.79 lb.
85930-	#2340 R-Panel Fascia Trim – 10'	N/A	9.54 lb.
85960-	#2343 R-Panel Base Trim – 10'	N/A	9.95 lb.



► COMMERCIAL GUTTER AND END CAP

Available in Painted – White (WH20) or Cocoa Brown (BN50) only.

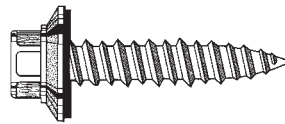
ITEM NUMBER	PRODUCT DESCRIPTION	PACKAGING PER BDL.	WEIGHT PER PIECE
46560-	#2201 Commercial Gutter – 10'	4 pcs.	16.20 lb.
46561-	#2201 Commercial Gutter – 12'	4 pcs.	19.44 lb.
46570-	Commercial Gutter End Cap RH	10 pcs.	.25 lb.
46580-	Commercial Gutter End Cap LH	10 pcs.	.25 lb.



► SCREWS, TOUCH-UP PAINT AND WATERPROOF PAPER

Available in Galvanized (GV10), Galvalume (GV90) or Painted K-Rib colors.

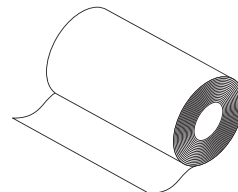
ITEM NUMBER	PRODUCT DESCRIPTION
90600-	K-Rib 1" Screws (500 per bag)
90601-	K-Rib 1-1/2" Screws (500 per bag)
90603-	K-Rib 2" Screws (500 per bag)
90604-	K-Rib 2-1/2" Screws (500 per bag)
90700-	K-Rib Touch-Up Paint (5 oz.)
90710-	K-Rib Reinforced Waterproof Paper (48" wide x 600' rolls)
48650-	Trim Nails 1-1/4" Stainless Ring Shank



Post-Frame Screws



Touch-Up Paint



Reinforced Waterproof Paper

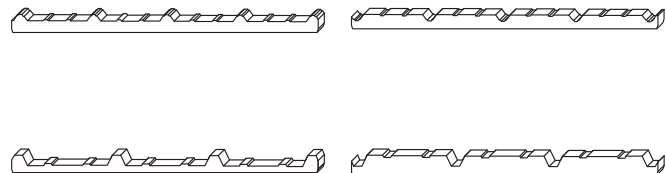


1-1/4" Stainless-Steel Trim Nails

► CLOSURES

Available in K-Rib profiles.

ITEM NUMBER	PRODUCT DESCRIPTION
55210-	K-Rib Frontier Glued Inside Closures
55211-	K-Rib Frontier Glued Outside Closures
55220-	K-Rib Suburban Glued Inside Closures
55221-	K-Rib Suburban Glued Outside Closures
55230-	K-Rib R-Panel Glued Inside Closures
55231-	K-Rib R-Panel Glued Outside Closures
55232-	K-Rib Heartland Glued Outside Closures



METAL BUILDING TRIM PRODUCTS

► SHEARS AND BLADES

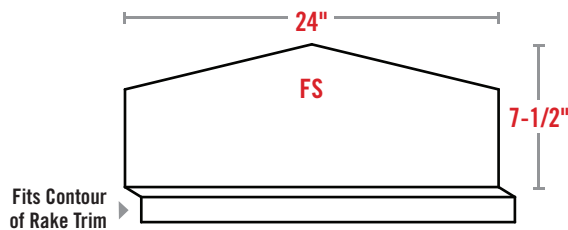
Available in all K-Rib profiles.



ITEM NUMBER	PRODUCT DESCRIPTION
91756-	Blades Only: Suburban 4:12
90756-	Blades Only: Frontier 4:12
91750-	K-Rib Heartland Straight Shear
90751-	K-Rib Frontier Straight Shear
90755-	K-Rib Frontier 4:12 Pitch Shear
91751-	K-Rib Suburban Straight Shear
91755-	K-Rib Suburban 4:12 Pitch Shear
90759-	K-Rib 1-1/4" Corrugated Straight Shear
90760-	K-Rib 2-1/2" Corrugated Straight Shear

► RIDGE END CAPS

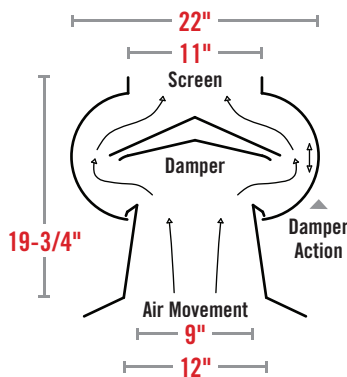
Available in Galvanized (GV10) or Painted in all K-Rib and select colors.



ITEM NUMBER	PRODUCT DESCRIPTION	PACKAGING PER BDL.	WEIGHT PER PIECE
46680-	#261-3 (3/12 Pitch) Ridge End Caps	25 pcs.	1.30 lb.
46690-	#261-4 (4/12 Pitch) Ridge End Caps	25 pcs.	1.30 lb.

► RIDGOLATOR RIDGE VENTILATOR

Available in 26 Gauge Galvanized or Painted – White (WH20) or Cocoa Brown (BN50) only.



432 Sq. In. Free Air Space – 4'
 1,080 Sq. In. Free Air Space – 10'
 Manufactured to a 4:12 pitch;
 adjusts from 2:12 to 5:12

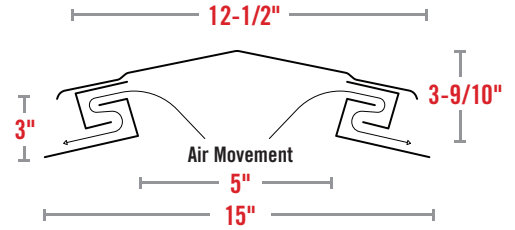
ITEM NUMBER	PRODUCT DESCRIPTION	PACKAGING PER CTN.	WEIGHT PER PIECE
50412-	9" Ridgulator – 4' (minimum order – 1)	1 pc.	43.00 lb.
50410-	9" Ridgulator with Damper – 4' (minimum order – 1)	1 pc.	56.00 lb.
50420-	9" Ridgulator – 10' (minimum order – 10)	1 pc.	95.00 lb.
50430-	9" Ridgulator with Damper – 10' (minimum order – 10)	1 pc.	115.00 lb.
50440-	Continuous-Run Flashings for 9" Ridgulators	1 pc.	1.01 lb.

RIDGOLATOR VENTILATION PRODUCTS

▶ ROOFLINE RIDGOLATOR

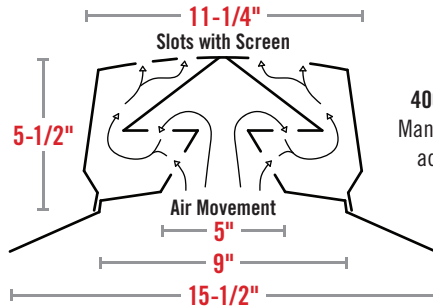
Available in Painted. **Stock colors (minimum order – II-2, III-2, IV-1):** Galvanized, White, Brite White, Cocoa Brown, Burnished Slate, Classic Burgundy, Forest Green and Ivory.

Special-order colors (minimum order – II-10, III-10, IV-2): Black, Charcoal Gray, Clay Mist, Cobble Stone, Lite Stone, Marina Blue, Red, Roman Blue, Saddle Tan, Sand Tan, Slate Gray and Smoke Gray.

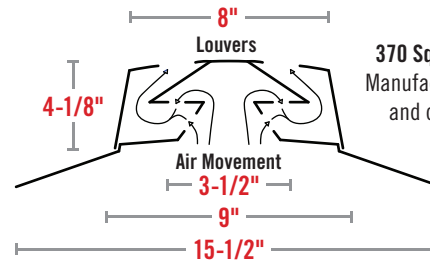


Roofline IV
221 Sq. In. Free Air Space
Manufactured to a 4:12 pitch;
adjusts from 2:12 to 8:12

ITEM NUMBER	PRODUCT DESCRIPTION	PACKAGING PER CTN.	WEIGHT PER PIECE
50020-	Roofline Ridgulator II – 10'	2 pcs.	31.00 lb.
50030-	Ridge-Pro Roofline Ridgulator III – 10'	2 pcs.	25.00 lb.
50040-	Roofline Ridgulator IV – 10'	1 pc.	28.00 lb.



Roofline II
400 Sq. In. Free Air Space
Manufactured to a 4:12 pitch;
adjusts from 2:12 to 5:12



Roofline III
370 Sq. In. Free Air Space
Manufactured to a 1:12 pitch
and cannot be adjusted

▶ END FLASHINGS AND CONNECTING FLASHINGS

Available in White (WH20) only. Sold in full-carton quantities only.

ITEM NUMBER	PRODUCT DESCRIPTION	PACKAGING PER CTN.	WEIGHT PER PIECE
50100-	End Flashing for Roofline Ridgulator II	10 pcs.	.50 lb.
50110-	End Flashing for Ridge-Pro Roofline Ridgulator III	10 pcs.	.50 lb.
50150-	Connecting Flashing for Roofline Ridgulator II	10 pcs.	.50 lb.
50160-	Connecting Flashing for Ridge-Pro Roofline Ridgulator III	10 pcs.	.50 lb.



IMPORTANT REMINDERS CONCERNING RIDGOLATOR VENTILATION PRODUCTS

1. Recommended for agricultural and light-commercial buildings only. Not for use on buildings with finished ceilings or interiors (i.e. homes, offices, schools, etc.).
2. Designed for exhaust use only.
3. Air intake in sq. in. must be equal to or greater than the amount of air being exhausted by the Ridgulator.

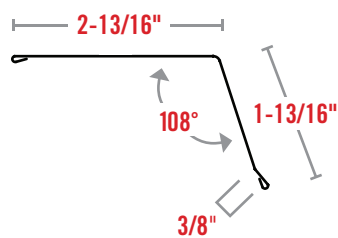
ROOF EDGE AND DRIP EDGE

AVAILABLE STANDARD MATERIAL FOR ALL ROOF EDGE AND DRIP EDGE

Standard Steel: Bare Galvanized or Painted in all K-Rib colors.

▶ GUTTER APRON WITH HEMMED EDGES

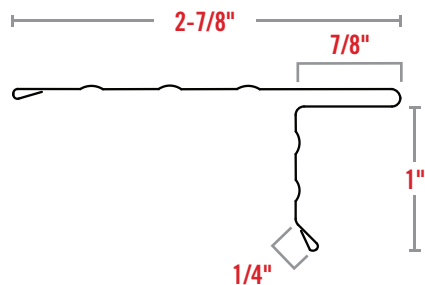
Available in standard material in all K-Rib and select colors.



ITEM NUMBER	PRODUCT DESCRIPTION	PACKAGING PER BDL.	WEIGHT PER PIECE: STEEL
33007-	2" x 3" Gutter Apron – 10'	25	2.75 lb.

▶ STYLE "D" ROOF EDGE

Available in standard material in all K-Rib and select colors.



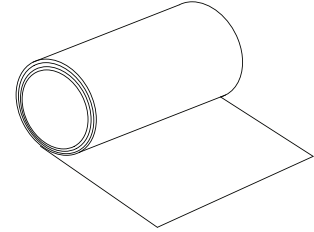
ITEM NUMBER	PRODUCT DESCRIPTION	PACKAGING PER CTN.	WEIGHT PER PIECE
32415-	5" w/ Hem – 10'	25	2.75 lb.

FLAT SHEETS/TRIM-FORMING SHEETS/FORMED VALLEY

▶ FLAT SHEETS

Available in all K-Rib and select colors.

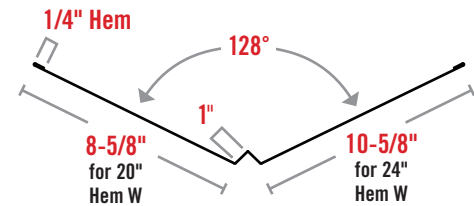
ITEM NUMBER	PRODUCT DESCRIPTION	WEIGHT PER PIECE
70740-	29-Ga. Sheet – 36" x 120"	19.68 lb.
30090-	Trim Coil – 24" x 50' Steel	65.60 lb.



▶ STYLE "W" FORMED VALLEY

Available in all K-Rib and select colors.

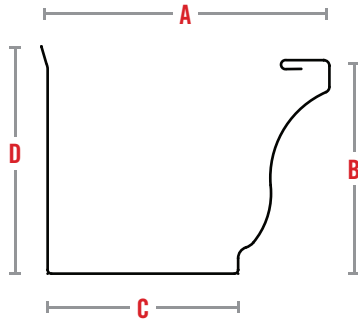
ITEM NUMBER	PRODUCT DESCRIPTION	PACKAGING	WEIGHT PER PIECE: STEEL
30554-	20" Style W Formed Valley w/ Hem – 10'	10 pcs.	10.93 lb.
30594-	24" Style W Formed Valley w/ Hem – 10'	10 pcs.	12.00 lb.



GUTTER AND ACCESSORIES

► “K” GUTTER

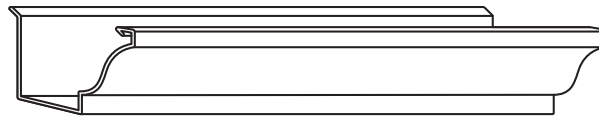
5" K Gutter available in all K-Rib colors.



ITEM NUMBER	PRODUCT DESCRIPTION		PACKAGING	WEIGHT PER PIECE
5" K Gutter				
10100-	5" K Gutter – Std. Ga.	Painted	10' – 10 pcs.	6.60 lb.
10101-GV10	5" K Gutter – Std. Ga.	Galvanized	10' – 10 pcs.	6.60 lb.
10310-	5" K Gutter – Std. Ga.	Painted	20' – 5 pcs.	13.20 lb.
10311-GV10	5" K Gutter – Std. Ga.	Galvanized	20' – 5 pcs.	13.20 lb.

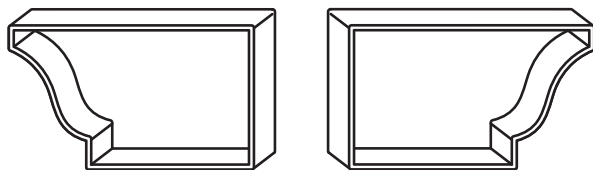
DIMENSIONS

5" Gutter	A = 5"
Girth – 12"	B = 3-7/16"
	C = 3-1/4"
	D = 3-3/4"



► “K” FRICTION END CAPS (TAP-ON)

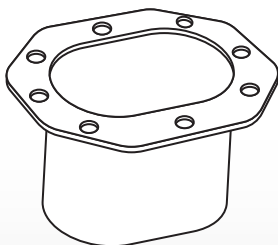
5" available in Galvanized (GV10) or Painted. Other select colors available; inquire about minimum quantities.



ITEM NUMBER	PRODUCT DESCRIPTION	PACKAGING	WEIGHT PER PIECE
15080-	5" K Friction End Cap – Right	50 pcs.	.15 lb.
15081-	5" K Friction End Cap – Left	50 pcs.	.15 lb.

► OVAL WIDE-FLANGE OUTLETS

3" and 4" Oval and Oval Wide-Flange Outlets available in Galvanized (GV10) or Painted – White (WH20) only. Oval Wide-Flange Outlets are pre-punched for pop-rievet application.

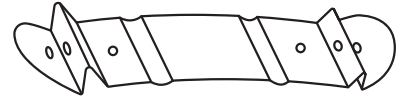


ITEM NUMBER	PRODUCT DESCRIPTION	PACKAGING	WEIGHT PER PIECE
15421-	3" Oval Wide-Flange Outlet	50 pcs.	.16 lb.
15432-	4" Oval Wide-Flange Outlet	50 pcs.	.26 lb.

► SQUARE CLINCHER BANDS

All sizes available in Galvanized (GV10) or Painted in all K-Rib colors.

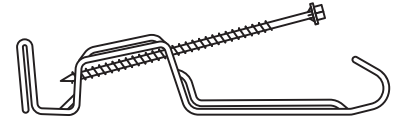
ITEM NUMBER	PRODUCT DESCRIPTION	PACKAGING	WEIGHT PER PIECE
15530-	3" Square Clincher Bands	100 pcs.	.17 lb.
15540-	4" Square Clincher Bands	100 pcs.	.23 lb.



► "K" SCREW-ON GUTTER HANGERS

5" size available in Galvanized (GV10) only. 6" size available in Bare Aluminum (AL10) only.

ITEM NUMBER	PRODUCT DESCRIPTION	PACKAGING	WEIGHT PER PIECE
15642-GV10	5" K Screw-On Gutter Hangers (w/ 3-3/4" Screws)	100 pcs.	.18 lb.
15638-AL10	6" K Screw-On Gutter Hangers	100 pcs.	.11 lb.



► GUTTER SPIKES AND GUTTER FERRULES

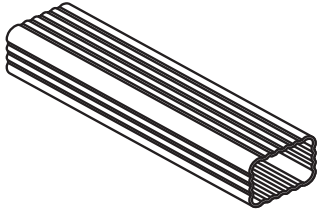
ITEM NUMBER	PRODUCT DESCRIPTION	PACKAGING	WEIGHT PER PIECE
Gutter Ferrules			
15190-	5" Gutter Ferrules	500 pcs.	.03 lb.
Gutter Spikes			
15220-GV10	3/16" x 8" Gutter Spikes	Galvanized 250 pcs.	.07 lb.



GUTTER AND ACCESSORIES

► SQUARE CONDUCTOR PIPE (DOWNSPOUT)

Standard Gauge available in 3" and 4" Galvanized (GV10) or Painted in all K-Rib colors.



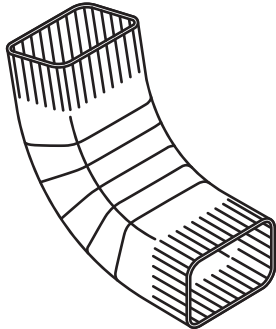
DIMENSIONS

3" Pipe = 2-3/8" x 3-1/4"
4" Pipe = 2-3/4" x 4-1/4"

ITEM NUMBER	PRODUCT DESCRIPTION	PACKAGING		WEIGHT PER PIECE
3" Conductor Pipe				
18070-	3" Square Corrugated – Std. Ga.	Painted	10' – 15 pcs.	5.78 lb.
18071-GV10	3" Square Corrugated – Std. Ga.	Galvanized	10' – 10 pcs.	5.78 lb.
4" Conductor Pipe				
18530-	4" Square Corrugated – Std. Ga.	Painted	10' – 10 pcs.	7.56 lb.
18531-GV10	4" Square Corrugated – Std. Ga.	Galvanized	10' – 10 pcs.	7.56 lb.

► SQUARE CORRUGATED AND RETURN ELBOWS

3" and 4" sizes, Style A or B, available in Galvanized (GV10) or Painted in all K-Rib colors.



DIMENSIONS

Elbow	Bend
3"	75°
4"	75°

ITEM NUMBER	PRODUCT DESCRIPTION	PACKAGING	WEIGHT PER PIECE
3" Elbows			
15452-	3" Square Corrugated Elbow #3A	20 pcs.	.62 lb.
15457-	3" Square Corrugated Elbow #3B	20 pcs.	.62 lb.
4" Elbows			
15482-	4" Square Corrugated Elbow #3A	20 pcs.	1.10 lb.
15488-	4" Square Corrugated Elbow #3B	20 pcs.	1.10 lb.

K-RIB PROFILES 4

K-RIB INTERIOR LINER PANELS 6-7

K-Rib Interior Liner Panels	6
K-Rib Perforated Interior Liner Panels	7
Dripstop Condensation Control	7

WARRANTY, CONDITIONS OF SALE AND GENERAL INFORMATION 8-9

METAL BUILDING TRIM PRODUCTS 10-26

Door-Track Cover (Round, Square and Other)	10
"K" Ribbed Rake and Corner	10
Rake and Corner with Hemmed Edges	11
Rake Trim with Hemmed Edges	11
Inside Corner Trim	11
Inside Corner Trim with Hemmed Edges	12
Corrugated Ridge Roll	12
Ridge Cap with Hemmed Edges	12
Ridge Roll	13
Globe Finials	13
Angle Flashing	14
Angle Flashing with Hemmed Edges	14
Angle Flashing with Lip (Turn-Back)	15
Inside Angle Flashing	15
Door-Edge Trim with Hemmed Edges	16
"K" Ribbed Door-Edge and Door-Post Trim	16
Double-Angle Trim with Hemmed Edge	17
Bottom Closure/Door Guide and Rat Guard II	17
"J" Channel and Framing Closure with Hemmed Edge	18
"K" Ribbed F, F and J Trim	19
Eaves Trim and Fascia Trim	19
Door-Jamb Trim with Hemmed Edge	20
Overhead Door Trim	20
Specialty Trims	21
Endwall and Sidewall Flashing and Gambrel Roof Joint	21
Aluminum Soffit	22

"K" Ribbed Fascia Trim and Door-Post Trim with Hemmed Edges	22
"J" Channel — F and F and J Trim for Aluminum Soffit	23
Louvered and Non-Louvered Soffit Trim	23
Commercial and R-Panel Rake Trim	24
Commercial Gutter and End Cap	25
Screws, Touch-Up Paint and Waterproof Paper	25
Closures	25
Shears and Blades	26
Ridge End Caps	26
Ridgulator Ridge Ventilator	26

RIDGULATOR VENTILATION PRODUCTS 27

Roofline Ridgulator	27
End Flashings and Connecting Flashings	27
Important Reminders	27

ROOF EDGE AND DRIP EDGE 28

Available Standard Material	28
Gutter Apron with Hemmed Edges	28
Style "D" Roof Edge	28

FLAT SHEETS/TRIM-FORMING SHEETS/FORMED VALLEY 29

Flat Sheets	29
Style "W" Formed Valley	29

GUTTER AND ACCESSORIES 30-32

"K" Gutter	30
"K" Friction End Caps (Tap-On)	30
Oval Wide-Flange Outlets	30
Square Clincher Bands	31
"K" Screw-On Gutter Hangers	31
Gutter Spikes and Gutter Ferrules	31
Square Conductor Pipe (Downspout)	32
Square Corrugated and Return Elbows	32



KLAUER
Quality Since 1870

1185 Roosevelt Ext.

PO Box 59

Dubuque, IA 52004-0059

(563) 582.7201

sales@klauer.com

WWW.KLAUER.COM