



KLAUER

MANUFACTURING CO.



STEEL SIDING

AND ACCESSORIES

STEEL SIDING AND ACCESSORIES

- › Steel Siding 4–5
- › Seamless Steel Siding Coil 5
- › Steel Siding Accessories 6–8
- › Steel Shake Accent Siding 8
- › Steel Shake Accent Siding Accessories 9
- › Steel Shingle Accent Siding 9
- › Steel Shingle Accent Siding Accessories 9
- › CottageWood Shingle Siding 10
- › CottageWood Steel Shingle Siding Accessories 11
- › Steel Siding Collection 12
- › Universal Siding Accessories
(Manufactured Aluminum) 13–15
- › James Hardie Aluminum Siding Accessories,
LP Expert Finish Aluminum Flashing and
Wood Fiber Siding Accessories Color Charts 16–17

TOUGHNESS NEVER LOOKED SO GOOD

Want to improve your home's curb appeal with a look that's vibrant and resilient? Klauer steel siding looks great—and it's finished with a durable, long-lasting coating that resists cracking, peeling, flaking, blistering, chipping, fading and more.

And you can choose from three distinct finishes. All three finishes are coated over G60 hot-dipped galvanized .015 thick (29 gauge) steel substrate.

KLAUER *CLASSIC*[™]

The Klauer Classic Steel Siding and Accessories collection is available in 24 solid siding colors.

BENEFITS:

- › Two-coat XT40S siliconized polyester paint system
- › Excellent corrosion protection
- › Modified with silicone for exceptional roll-forming performance
- › Super-durable polyester resins provide superior resistance to chalking, fading and environmental weathering
- › Precision nylon-particle additives enhance the finish with texture
- › Highest-quality exterior grade and ceramic pigmentation amplifies long-term color and gloss retention
- › Meets minimal solar reflectance for ENERGY STAR[™] approval
- › Lifetime limited warranty paint system

KLAUER *ELITE*[™]

The Klauer Elite Steel Siding and Accessories collection is available in five attractive colors. Klauer Elite adds durability, richness and low-glare, true-color appearance—even on the brightest days and in the toughest elements.

BENEFITS:

- › Two-coat XT40S siliconized polyester paint system
- › Excellent corrosion protection
- › Modified with silicone and high-performance wax for exceptional roll-forming performance
- › Proprietary wrinkle-textured finish provides a warm and low-reflective finish that retains color richness in the brightest direct sunlight
- › Super-durable polyester resins provide superior resistance to chalking, fading and environmental weathering, plus exceptional impact-resistant properties
- › Meets solar reflectance, LEED and ENERGY STAR requirements
- › Lifetime limited warranty paint system

KLAUER *Prestige*[™]

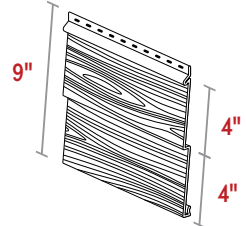
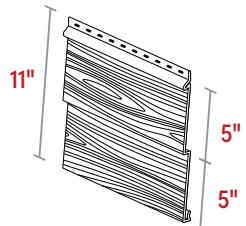
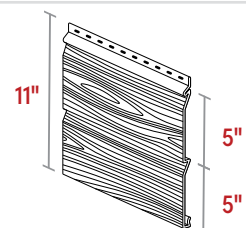
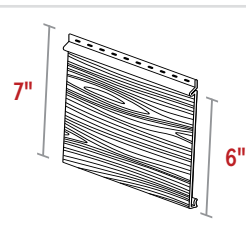
The Klauer Prestige Steel Siding and Accessories collection replicates nature's colors and textures. Its unique color palette consists of five two-tone shades that create the look of naturally stained wood.

BENEFITS:

- › Four-coat XT40S siliconized polyester paint system
- › Excellent corrosion protection
- › Super-durable polyester resins provide superior resistance to chalking, fading and environmental weathering
- › Custom-designed, woodgrain-print overlay enriches and adds depth to our modern, real-wood look and top-of-the-line finish
- › Final application of polyester clear coat adds superior protection against scratches, dirt retention and staining
- › Meets minimal solar reflectance for ENERGY STAR approval
- › Lifetime limited warranty paint system



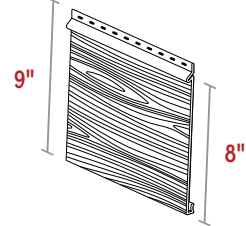
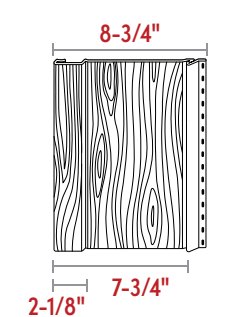
STEEL SIDING

	PART NUMBER	PRODUCT DESCRIPTION	PACKAGING AND SPECIFICATIONS
	57110	Double 4" Woodgrain	12 ft. 6 in. length 1 sq./ctn. 12 pcs./ctn. 89 lbs./ctn. 7.42 lbs./pc.
	57120	Double 5" Woodgrain	12 ft. length 1 sq./ctn. 10 pcs./ctn. 86 lbs./ctn. 8.6 lbs./pc.
	57130	Double 5" Dutchlap Woodgrain <i>Not available in Klauer Classic colors Brick Red, Brownstone, Chocolate, Colonial Blue, Ember Gray, Liberty Gray, Mountain Green, Terra Bronze and Winter Sage</i>	12 ft. length 1 sq./ctn. 10 pcs./ctn. 86 lbs./ctn. 8.6 lbs./pc.
	57160	Single 6" Woodgrain	12 ft. 6 in. length 1 sq./ctn. 16 pcs./ctn. 90 lbs./ctn. 5.63 lbs./pc.

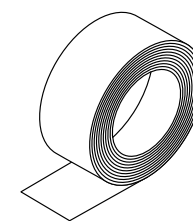
continued

STEEL SIDING

continued

	PART NUMBER	PRODUCT DESCRIPTION	PACKAGING AND SPECIFICATIONS
	57140	8" Horizontal Woodgrain	12 ft. 6 in. length 1 sq./ctn. 12 pcs./ctn. 87 lbs./ctn. 7.25 lbs./pc.
	57150	8" Vertical Board and Batten Woodgrain	10 ft. length 1 sq./ctn. 15 pcs./ctn. 87 lbs./ctn. 5.8 lbs./pc.

SEAMLESS STEEL SIDING COIL



PART NUMBER	PRODUCT DESCRIPTION	PACKAGING AND SPECIFICATIONS
57310	Seamless Steel Coil	9-3/40 in. width 700 approx. lbs.
57320	Seamless Steel Coil	10-5/8 in. width 700 approx. lbs.
57330	Seamless Steel Coil	13-1/4 in. width 700 approx. lbs.

Minimum coil order weight is 250 lbs.

STEEL SIDING ACCESSORIES

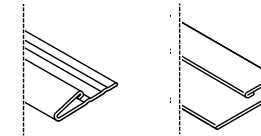


PART NUMBER	PRODUCT DESCRIPTION	PACKAGING AND SPECIFICATIONS
57340	Steel Trim Coil	13-1/4 in. x 50 ft. 1 coil/ctn. 36 lbs.
57350	Steel Trim Coil	24-1/2 in. x 50 ft. 1 coil/ctn. 67 lbs.
57200	Sill Trim	12 ft. 6 in. length 300 linear ft./ctn. 24 pcs./ctn. 45 lbs./ctn. 1.86 lbs./pc.
44275	7/8" J Channel with 1/2" face	12 ft. 6 in. length 300 linear ft./ctn. 24 pcs./ctn. 48 lbs./ctn. 2 lbs./pc.
44279	7/8" J Channel with 3/4" face	12 ft. 6 in. length 250 linear ft./ctn. 20 pcs./ctn. 44 lbs./ctn. 2.2 lbs./pc.
57720	1-1/8" J Channel with 1/2" face	12 ft. 6 in. length 300 linear ft./ctn. 24 pcs./ctn. 51 lbs./ctn. 2.13 lbs./pc.
44274	5/8" J Channel Best for 8" vertical siding	12 ft. 6 in. length 300 linear ft./ctn. 24 pcs./ctn. 39 lbs./ctn. 1.63 lbs./pc.

continued

STEEL SIDING ACCESSORIES

continued

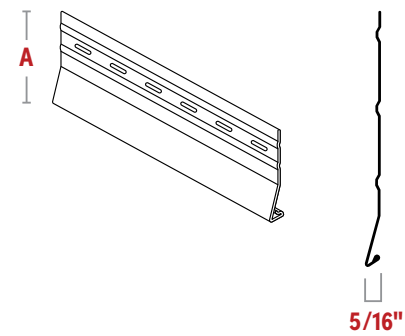


PART NUMBER	PRODUCT DESCRIPTION	PACKAGING AND SPECIFICATIONS
57210	Siding Trim Combo Pack	12 pcs. Sill 12 pcs. 7/8 in. J
57230	Corner Post Cap	10 ft. length 100 linear ft./ctn. 10 pcs./ctn. 45 lbs./ctn. 4.5 lbs./pc.
44273	5/8" Double Angle Best for 8" vertical siding	12 ft. 6 in. length 300 linear ft./ctn. 20 pcs./ctn. 45.4 lbs./ctn. 2.27 lbs./pc.
57240	3/4" Narrow Corner Post Base	10 ft. length 100 linear ft./ctn. 10 pcs./ctn. 41 lbs./ctn. 4.1 lbs./ctn.
57250	1-1/8" Wide Corner Post Base	10 ft. length 100 linear ft./ctn. 10 pcs./ctn. 41 lbs./ctn. 4.1 lbs./pc.
15670	Touch-Up Spray Can	11-oz. spray can
15679	Touch-Up Paint Bottle and Pen Dispenser Combo <i>Inquire for Prestige two-tone combo</i>	2-oz. bottle – 1 each and 1 pen dispenser

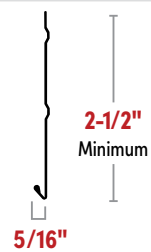
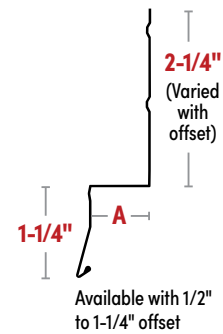
continued

STEEL SIDING ACCESSORIES

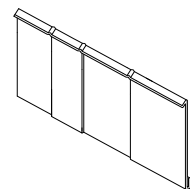
continued



PART NUMBER	PRODUCT DESCRIPTION	PACKAGING AND SPECIFICATIONS	DIMENSIONS A
84110	2-1/2" Steel Starter Strip	10 ft. length 500 linear ft. 50 pcs./ctn. 48 lbs./ctn. .96 lbs./pc.	1-5/8"
84111	3-1/2" Steel Starter Strip	10 ft. length 300 linear ft. 30 pcs./ctn. 66 lbs./ctn. 2.2 lbs./pc.	2-5/8"
84112	4-1/2" Steel Starter Strip	10 ft. length 250 linear ft. 25 pcs./ctn. 68 lbs./ctn. 2.72 lbs./pc.	3-5/8"
84113	#2194 3/4" Offset Starter	10 ft. length 25 pcs./ctn. Steel: 2.20 lbs. Aluminum: .80 lbs.	3/4"
84114	#2195 1-1/4" Offset Starter	10 ft. length 25 pcs./ctn. Steel: 2.70 lbs. Aluminum: 1.00 lbs.	1-1/4"
84115	#2190 Fastening Spline Starter	10 ft. length 30 pcs./ctn. Steel: 1.60 lbs. Aluminum: .60 lbs.	-

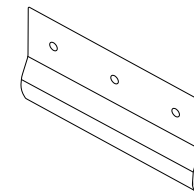
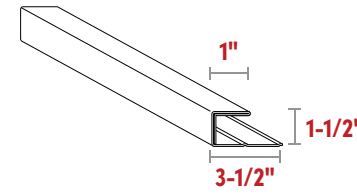


STEEL SHAKE ACCENT SIDING



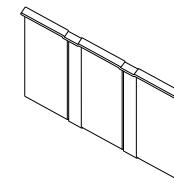
PART NUMBER	PRODUCT DESCRIPTION	PACKAGING AND SPECIFICATIONS
71410	Steel Shake Accent Siding Panel	12 in. x 48 in. 12 pcs./ctn. 48 sq. ft./ctn. 45 lbs./ctn. 3.75 lbs./pc.

STEEL SHAKE ACCENT SIDING ACCESSORIES



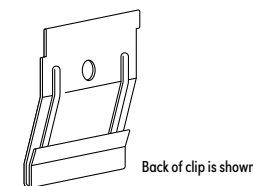
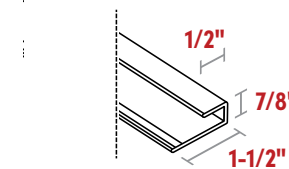
PART NUMBER	PRODUCT DESCRIPTION	PACKAGING AND SPECIFICATIONS
44015	1-1/2" J Channel	12 ft. 6 in. length 10 pcs./ctn. 41 lbs./ctn. 4.1 lbs./pc.
71430	Clip Fastener	75 pcs./ctn.

STEEL SHINGLE ACCENT SIDING



PART NUMBER	PRODUCT DESCRIPTION	PACKAGING AND SPECIFICATIONS
71420	Steel Shingle Accent Siding Panel	12 in. x 60 in. 10 pcs./ctn. 50 sq. ft./ctn. 41 lbs./ctn. .82 lbs./pc.

STEEL SHINGLE ACCENT SIDING ACCESSORIES



PART NUMBER	PRODUCT DESCRIPTION	PACKAGING AND SPECIFICATIONS
44275	7/8" J Channel	12 ft. 6 in. length 300 linear ft./ctn. 24 pcs./ctn. 48 lbs./ctn. 2 lbs./pc.
71440	Clip Fastener	100 pcs./ctn. 1 lb./ctn.

CottageWood

SHINGLE SIDING

Crafted using heavy-gauge steel and durable, state-of-the-art finishes and coatings, our CottageWood shingles are guaranteed to retain their beauty and outperform competing materials. No other shingle offers the same protection, savings and lasting beauty. Invest in your home with a worry-free shingle that provides peace of mind for the future.

GET MORE FROM KLAUER

CottageWood shingles are available in a beautiful palette of colors utilizing Dura Coat Products coating system. These carry a fade-and-chalk-resistance warranty that ensures your shingles will remain vibrant for decades.

AMERICAN MADE

We work diligently with our suppliers to bring the best materials and newest technology to our shingles. Our high-quality steel, paint system, fasteners and accessories are 100% made in America.

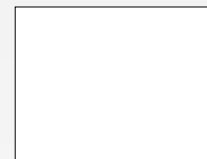
PRODUCT SPECIFICATIONS

PANEL EXPOSURE:	40.625" x 8.625"
PANELS PER SQUARE:	41.10
WEIGHT PER SQUARE:	85.70 lbs.
PRODUCT MATERIAL:	A653 Galvanized Steel, Textured SMP Finish

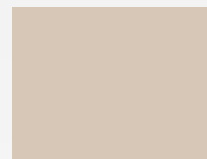
AVAILABLE COLORS:	Classic Snow White, Classic Sandalwood, Classic Moccasin, Classic Northern Woods, Classic Terra Bronze, Classic Winter Sage, Classic Liberty Gray, Classic Deep Ocean Blue, Classic Brick Red and Classic Mocha
--------------------------	---

FASTENING DETAIL:	Integrated Nail Tabs and Clips: Ring shank corrosion-resistant fasteners recommended
--------------------------	--

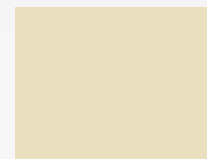
FASTENING CLIPS:	16" spacing, 120 per square recommended for clip applications (100 per bag)
-------------------------	---



CLASSIC SNOW WHITE



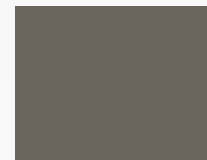
CLASSIC SANDALWOOD



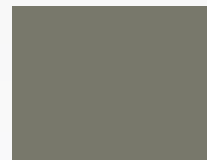
CLASSIC MOCCASIN



CLASSIC NORTHERN WOODS



CLASSIC TERRA BRONZE



CLASSIC WINTER SAGE



CLASSIC LIBERTY GRAY



CLASSIC DEEP OCEAN BLUE



CLASSIC BRICK RED

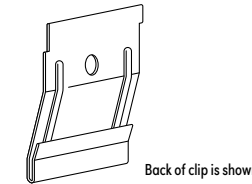


CLASSIC MOCHA

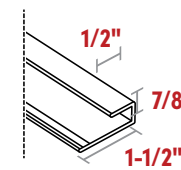
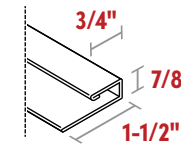


The colors shown are intended only as an approximation of the actual colors. Color chips are available upon request.

COTTAGEWOOD STEEL SHINGLE SIDING ACCESSORIES



PART NUMBER	PRODUCT DESCRIPTION	PACKAGING AND SPECIFICATIONS
71440	Clip Fastener	100 pcs./ctn. 1 lb./ctn.
44279	7/8" J Channel with 3/4" face	12 ft. 6 in. length 300 linear ft./ctn. 20 pcs./ctn. 44 lbs./ctn. 2.2 lbs./pc.
44275	7/8" J Channel	12 ft. 6 in. length 300 linear ft./ctn. 24 pcs./ctn. 48 lbs./ctn. 2 lbs./pc.



STEEL SIDING COLLECTION

Want to improve your home's curb appeal with a look that's vibrant and resilient? Klauer steel siding looks great—and it's finished with a durable, long-lasting coating that resists cracking, peeling, flaking, blistering, chipping, fading and more. **And you can choose from three distinct finishes.**

KLAUER CLASSIC



KLAUER ELITE



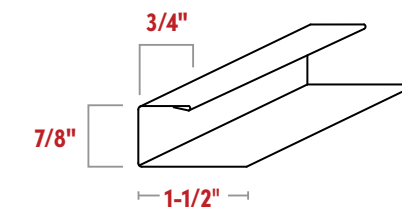
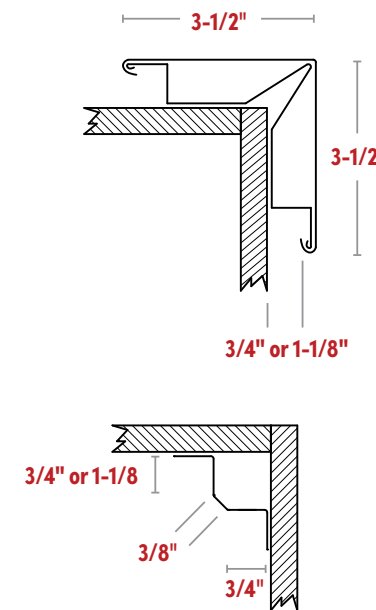
KLAUER PRESTIGE



The colors shown are intended only as an approximation of the actual colors. Color chips are available upon request.

UNIVERSAL SIDING ACCESSORIES: MANUFACTURED FROM ALUMINUM

Available in common engineered-wood and fiber-cement siding colors. Available in standard woodgrain embossed and non-embossed smooth. Inquire for availability of colors.



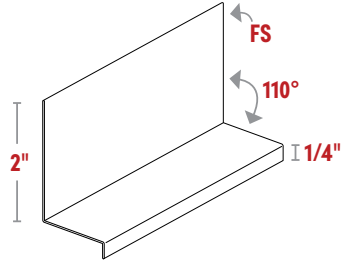
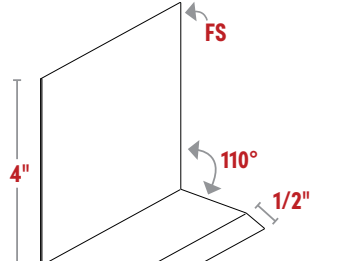
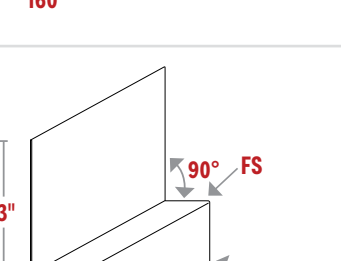
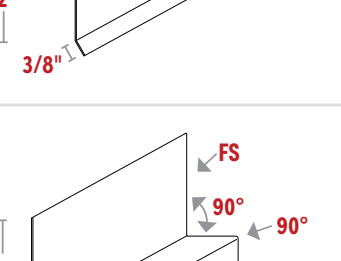
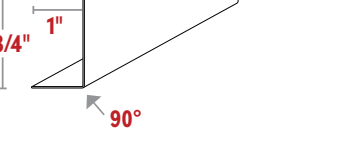

PART NUMBER	PRODUCT DESCRIPTION	PACKAGING AND SPECIFICATIONS
51000	3/4" Outside Corner Base – 10' Smooth	10/ctn. 1.82 lbs./ctn. .18 lbs./pc.
51005	1-1/8" Outside Corner Base – 10' Smooth	10/ctn. 2.03 lbs./ctn. .2 lbs./pc.
51010	Outside Corner, Cap (Snap-On) – 10' Woodgrain	10/ctn. 1.70 lbs./ctn. .17 lbs./pc.
51020	3/4" Inside Corner – 10' Woodgrain	40/ctn. .84 lbs./ctn. .02 lbs./pc.
51027	1-1/8" Inside Corner – 10' Smooth	40/ctn. .84 lbs./ctn. .02 lbs./pc.
51025	1-1/8" Inside Corner – 10' Woodgrain	40/ctn. 1.05 lbs./ctn. .03 lbs./pc.
44291	#2900 J Channel – 12' Smooth	20/ctn. .81 lbs./ctn. .04 lbs./pc.
44290	#2900 J Channel – 12' Woodgrain	20/ctn. 1.01 lbs./pc. .05 lbs./pc.
30230 30231	24" Trim Coil – 50' Roll Smooth 24" Trim Coil – 50' Roll Woodgrain	1/ctn. 27 lbs.

continued

UNIVERSAL SIDING ACCESSORIES: MANUFACTURED FROM ALUMINUM

continued

Available in common engineered-wood and fiber-cement siding colors. Available in standard woodgrain embossed and non-embossed smooth. Inquire for availability of colors.

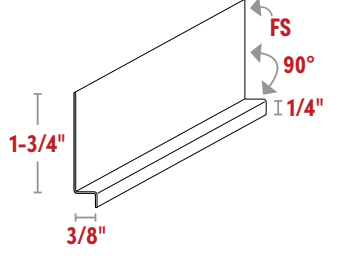
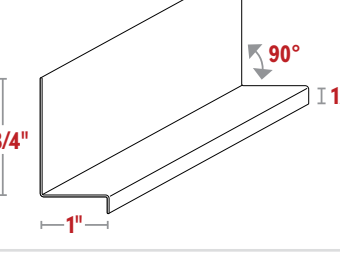
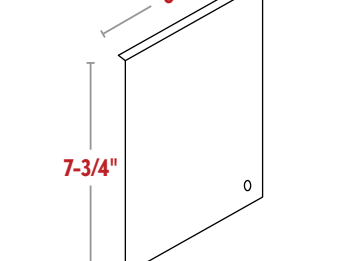
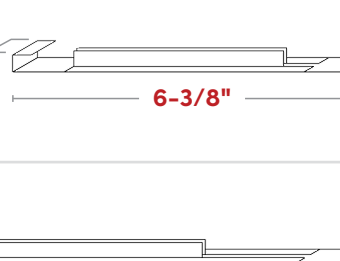
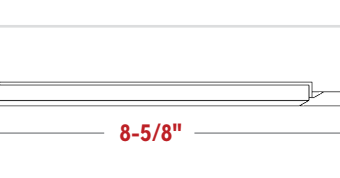

	PART NUMBER	PRODUCT DESCRIPTION	PACKAGING AND SPECIFICATIONS
	51057	1-1/16" Window Drip Cap Smooth	25 pcs./ctn. 17 lbs./ctn. .68 lbs./pc.
	51045	1-1/16" Window Drip Cap Woodgrain	25 pcs./ctn. 21.25 lbs./ctn. .85 lbs./pc.
	51059	Brick Flashing - 10' Smooth	20 pcs./ctn. 25.4 lbs./ctn. 1.27 lbs./pc.
	51050	Brick Flashing - 10' Woodgrain	20 pcs./ctn. 31.6 lbs./ctn. 1.58 lbs./pc.
	51071	Wall Flashing - 10' Smooth	20 pcs./ctn. 26.8 lbs./ctn. 1.34 lbs./pc.
	51070	Wall Flashing - 10' Woodgrain	20 pcs./ctn. 28.8 lbs./ctn. 1.44 lbs./pc.
	51058	Spacer Flashing - 10' Smooth	10 pcs./ctn. 11.8 lbs./ctn. 1.18 lbs./ctn.

continued

UNIVERSAL SIDING ACCESSORIES: MANUFACTURED FROM ALUMINUM

continued

Available in common engineered-wood and fiber-cement siding colors. Available in standard woodgrain embossed and non-embossed smooth. Inquire for availability of colors.

	PART NUMBER	PRODUCT DESCRIPTION	PACKAGING AND SPECIFICATIONS
	51036	3/8" Z Flashing Smooth	25 pcs./ctn. 12.25 lbs./ctn. .49 lbs./pc.
	51040	3/8" Z Flashing Woodgrain	25 pcs./ctn. 15.25 lbs./ctn. .61 lbs./pc.
	51039	1" Z Flashing - 10' Smooth	25 pcs./ctn. 15.25 lbs./ctn. .61 lbs./pc.
	51042	1" Z Flashing - 10' Woodgrain	25 pcs./ctn. 19.25 lbs./ctn. .77 lbs./pc.
	51083	6" x 8" Siding Joint Flashing	50/ctn. 4.09 lbs.
	51028	Siding Joint Covers - 3/4" x 6-3/8" Smooth	50/ctn. .02 lbs.
	51029	Siding Joint Covers - 3/4" x 6-3/8" Woodgrain	50/ctn. .02 lbs.
	51032	Siding Joint Covers - 3/4" x 8-3/8" Smooth	50/ctn. .04 lbs.
	51030	Siding Joint Covers - 3/4" x 8-3/8" Woodgrain	50/ctn. .04 lbs.
	51035	Siding Joint Covers - 7/8" x 8-5/8" Woodgrain	50/ctn. .04 lbs.

JAMES HARDIE ALUMINUM SIDING ACCESSORIES COLORS



LP EXPERT FINISH ALUMINUM FLASHING COLORS



WOOD FIBER SIDING ACCESSORIES COLORS





KLAUER

MANUFACTURING CO.

**Adding Strength
to Every Foundation.**

1185 Roosevelt Ext.
Dubuque, IA 52001

(563) 582.7201

smsales@klauer.com

WWW.KLAUER.COM

75957 Siding Section

75961 Full Catalog

©2025 Klauer Manufacturing Company.